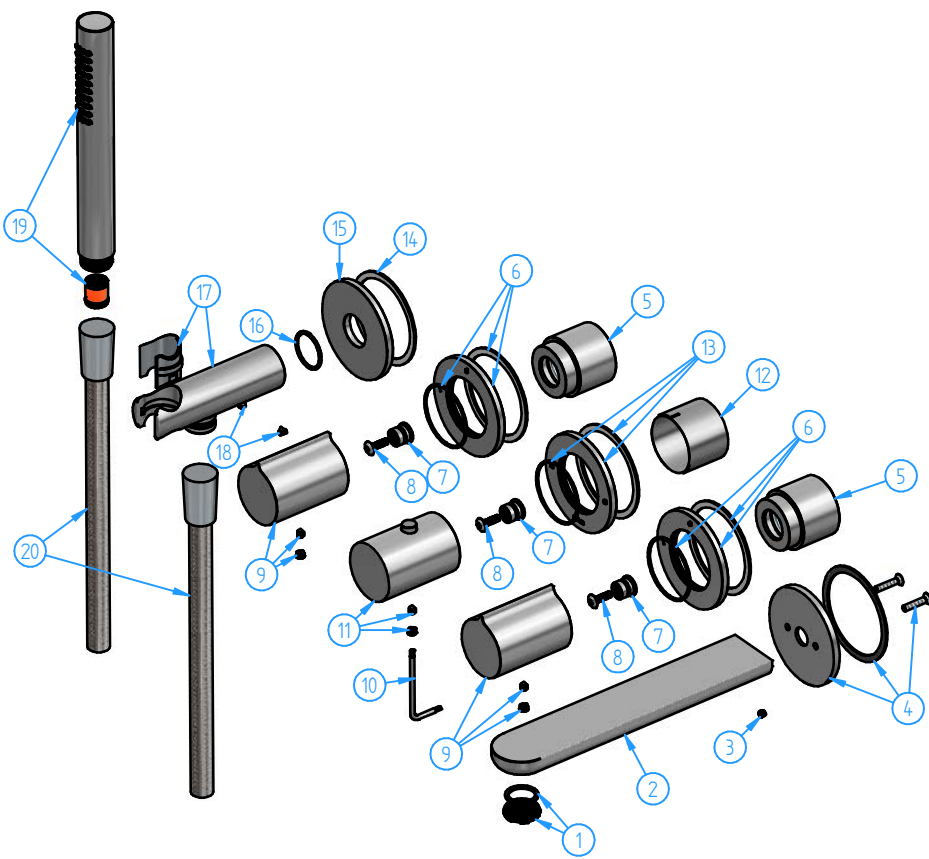
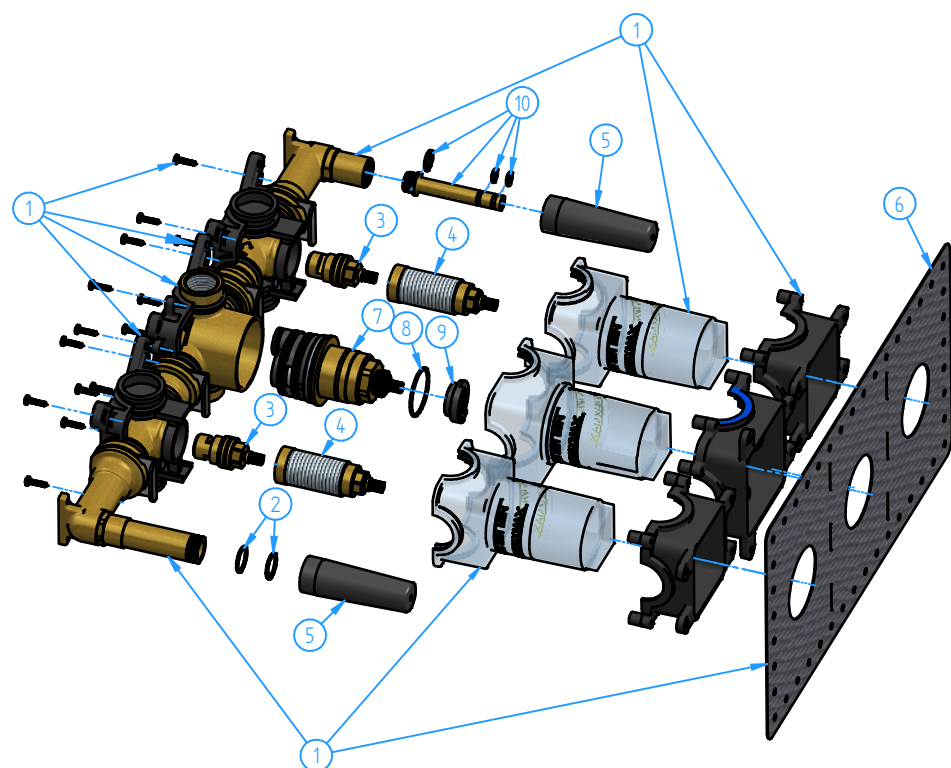


2	GT7072EXT-00	External parts for GT7072	1
1	HBGT7072-00	Internal parts for GT7072	1
ID Number	Code	Description	Pcs



20	AR015-00	Flexible hose	2
19	AR354-00	Hand shower	1
18	CB7501-04	Dowel M5x5	2
17	AR7501-001	Wall coupling with hand shower bracket	1
16	CB7501-05	O.ring 23.52x1.78	1
15	AR7501-01	Wall flange for spout and hand shower support	1
14	CB7068-09	Washer for flange	1
13	GT7001-002	Wall flange for thermostatic mixer	1
12	AR7001-02	Cover	1
11	AR7001-001	Thermostatic handle	1
10	CB7068-08	Allen wrench 2,5 mm	1
9	GT7068-001.as	Handle set for stop valve/diverter	2
8	CB0768-10	Screw	3
7	AR7068-05	Adaptor	3
6	GT7068-002	Wall flange set for stop valve	2
5	GT7068-04	Adaptor for stop valve/diverter wall flange	2
4	GT105-FL70-0	Wall flange set	1
3	CB095-16	Dowel M4x4	2
2	GT105-03	Spout body	1
1	BR063-002	Flow guide (Neoperl Slim Honeycomb 01.5511.0)	1
ID Number	Code	Description	Pcs



10	HBGT7072-002	Spout connection set	1
9	HBCB7001-01	Stop ring	1
8	HBCB7001-02	O.ring 34.65x1.78	1
7	HBCB7001-001	Thermostatic cartridge (with stop valves and filters)	1
6	HBCB7066-01	Wall gasket	1
5	HBCB7071-01	Protection cover	2
4	HBCB7068-002	Extension for headwork	2
3	HBCB7068-003	Ceramic headwork	2
2	CB7501-06	O.ring 17.17x1.78	2
1	HBGT7072-001	Preassembled set for HBGT7072	1
ID Number	Code	Description	Pcs

		Sheet 1 of 3	
N°	REVIEW	Date	Scale 1:5
Description			Material
Concealed thermostatic mixer for bathtub, with 2 stop valves, spout and hand shower			Weight 0 kg
Code GT7072-00	Date of issue 20/02/2026	Chamfers not quoted 0.5x45°	
<small>This drawing is property reserved of Hotbath Srl. Without express authorization, the copying, distribution and utilization of this document as well as the communication to others is prohibited.</small>			