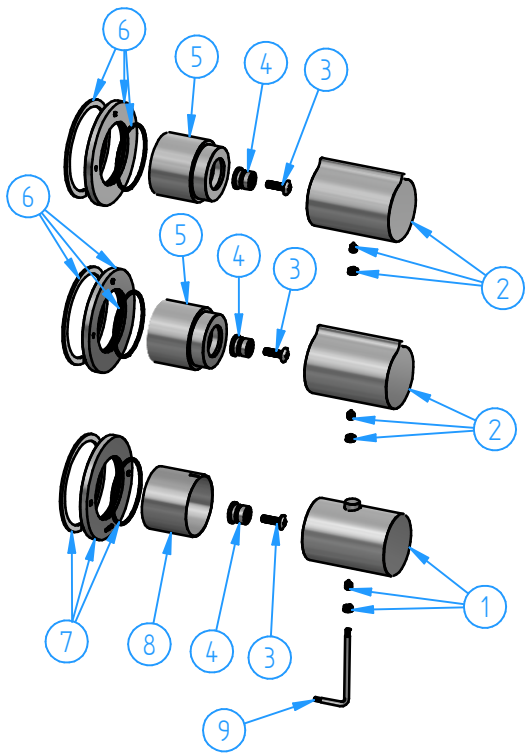
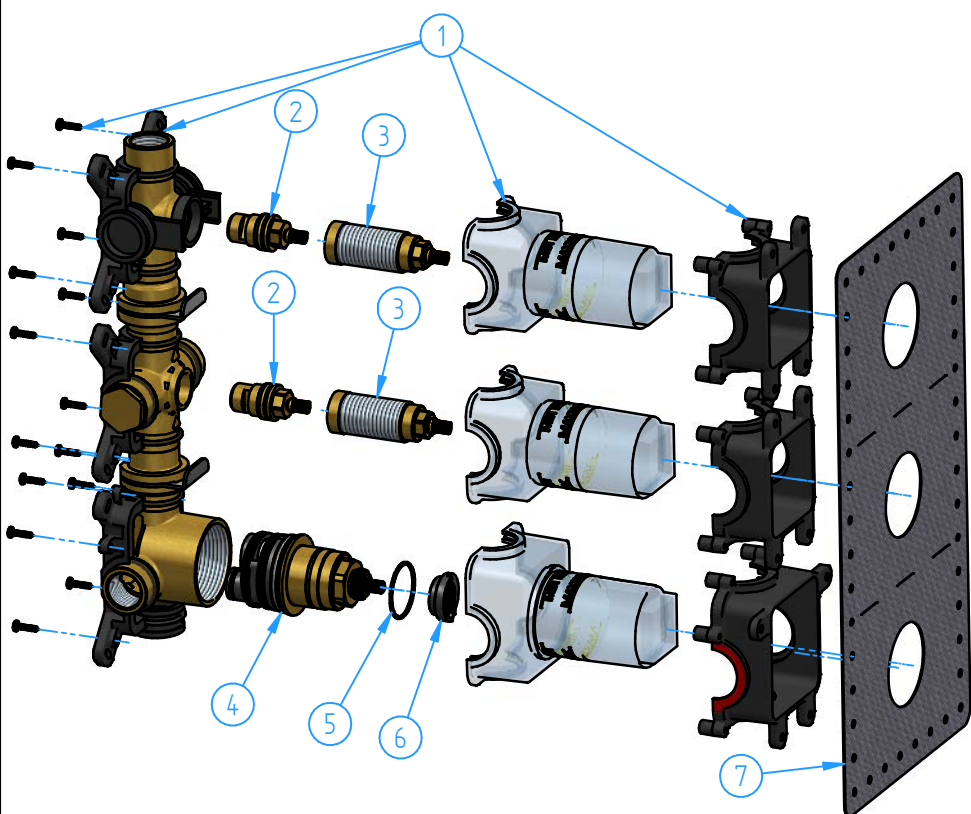


2	HBCB7066-00	Internal parts for vertical thermostatic mixer with 2 stop valves	1
1	GT7066EXT-00	External parts for GT7066-GT7067	1
ID Number	Code	Description	Pcs



9	CB7068-08	Allen wrench 2,5 mm	1
8	AR7001-02	Cover	1
7	GT7001-002	Wall flange for thermostatic mixer	1
6	GT7068-002	Wall flange set for stop valve	2
5	GT7068-04	Adaptor for stop valve/diverter wall flange	2
4	AR7068-05	Adaptor	3
3	CB0768-10	Screw	3
2	GT7068-001	Handle set for stop valve/diverter	2
1	GT7001-001	Thermostatic handle	1
ID Number	Code	Description	Pcs



7	HBCB7066-01	Wall gasket	1
6	HBCB7001-01	Stop ring	1
5	HBCB7001-02	O.ring 34.65x1.78	1
4	HBCB7001-001	Thermostatic cartridge (with stop valves and	1
3	HBCB7068-002	Extension for headwork	2
2	HBCB7068-003	Ceramic headwork	2
1	HBCB7066-006	Preassembled set for HBCB7066	1
ID Number	Code	Description	Pcs

		Sheet 1 of 3	
N°	REVIEW	Date	Scale 1:5
Description			Material
Concealed thermostatic shower mixer, with 2 stop valves			Weight 0 kg
Code GT7066-00	Date of issue 11/02/2026	Chamfers not quoted 0.5x45°	
<small>This drawing is property reserved of Hotbath Srl. Without express authorization, the copying, distribution and utilization of this document as well as the communication to others is prohibited.</small>			