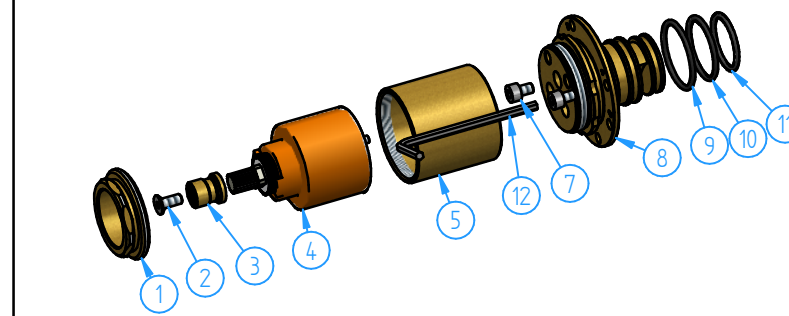
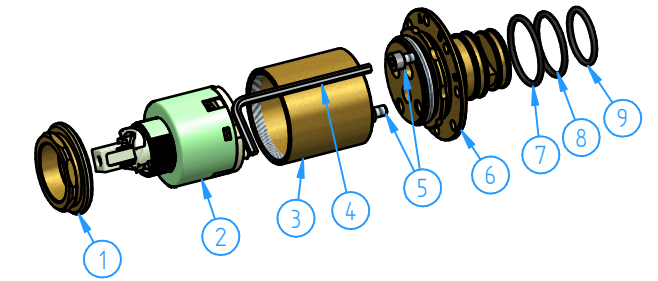


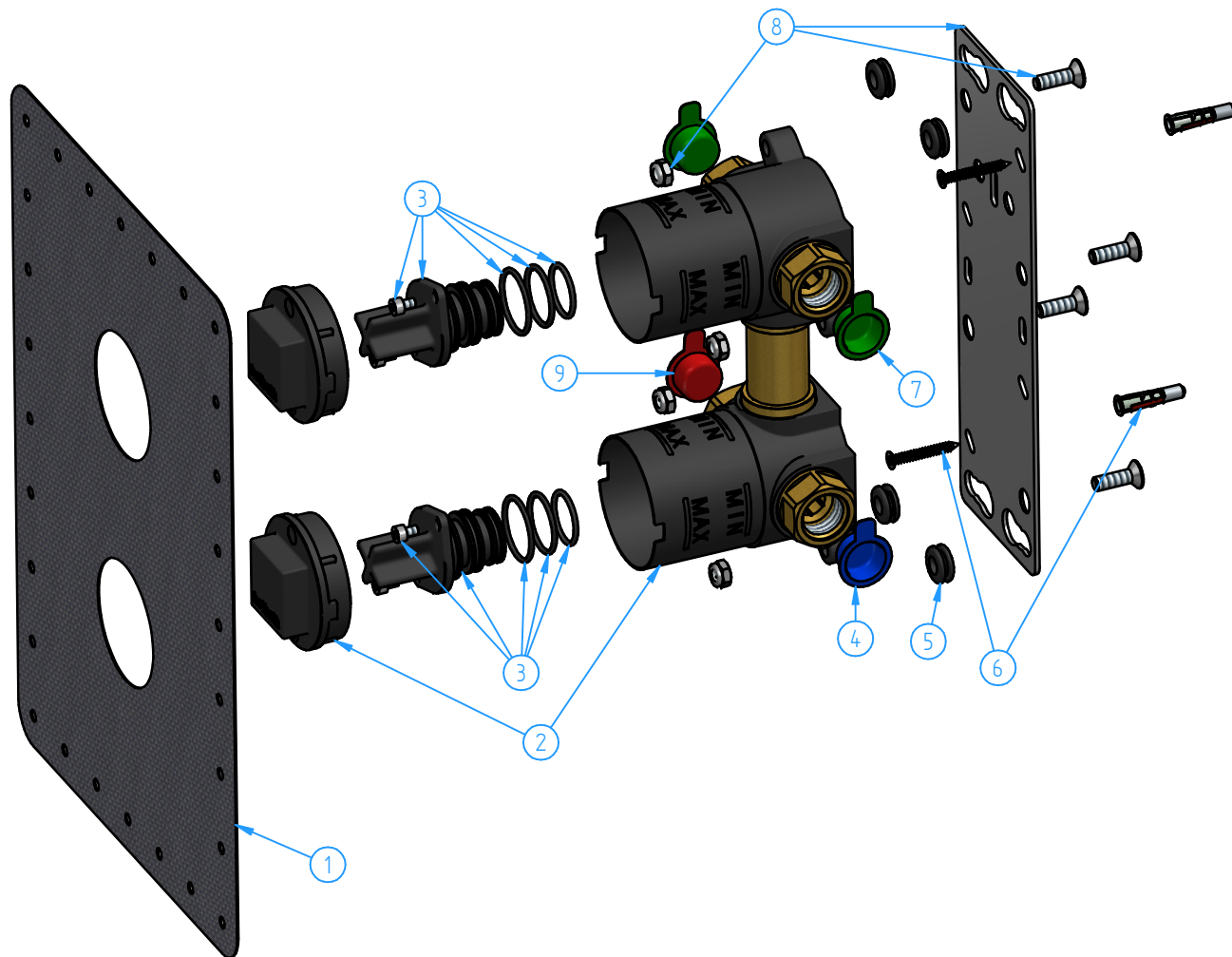
2	GT129EXT-00	External parts for shower mixer with 2-way diverter	1
1	HBCB129-00	Concealed part for shower mixers with 2-way diverter	1
ID Nr	Code	Description	Pcs



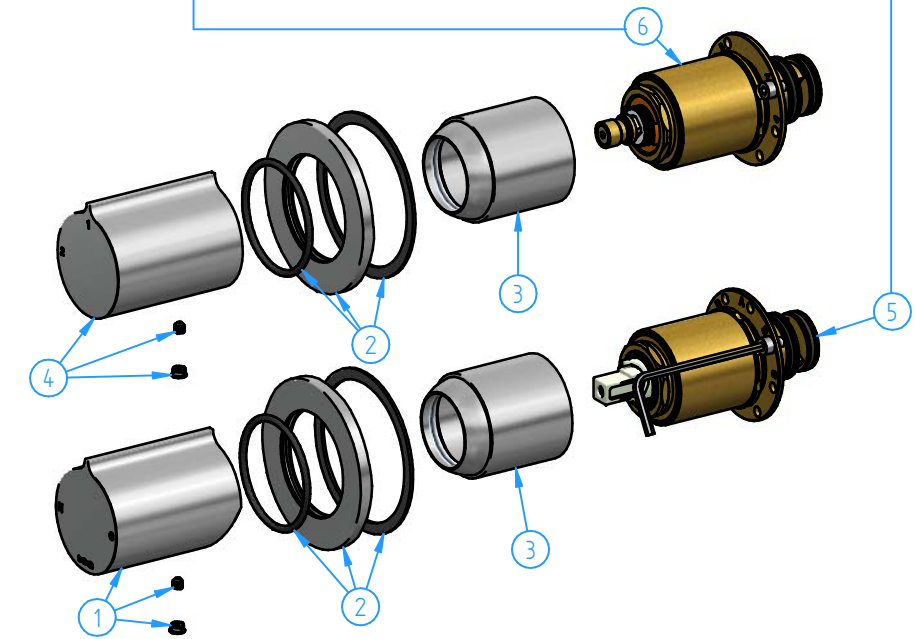
12	AC105-11	Allen wrench 3 mm	1
11	AR095-04	O.Ring 20x2	1
10	HBCB105-17	O.ring 23x2	1
9	HBCB105-18	O.ring 25x2	1
8	AC131-02	Mixer/diverter body	1
7	HBCB105-09	Screw M4x6	2
5	CB031-10	Cartridge cover	1
4	M437-010	2-Ways diverter cartridge without shut-off	1
3	CB029-05	Adaptor	1
2	CB029-14	Screw M4x10	1
1	CB003-09	Locking nut	1
ID Nr	Code	Description	Pcs



9	AR095-04	O.Ring 20x2	1
8	HBCB105-17	O.ring 23x2	1
7	HBCB105-18	O.ring 25x2	1
6	CB105-02	Cartridge/diverter body	1
5	HBCB105-09	Screw M4x6	2
4	AC105-11	Allen wrench 3 mm	1
3	CB031-10	Cartridge cover	1
2	BR005-001	Ceramic cartridge ø35	1
1	CB003-09	Locking nut	1
ID Nr	Code	Description	Pcs



9	HBCB105-21	Red plug	1
8	HBCB129-002	Installation flange set	1
7	HBCB111-01	Green plug	2
6	HBCB105-005	Fixing kit	1
5	HBCB105-004	Shock/noise absorber set	1
4	HBCB105-20	Blu plug	1
3	HBCB105-002	Plug set	2
2	HBCB129-001	Preassembled set for HBCB129	1
1	HBC129-03	Wall gasket	1
ID Nr	Code	Description	Pcs



6	AC111-002	Cartridge set for diverter	1
5	CB105-002	Mixer cartridge set	1
4	GT111-001	Diverter handle set	1
3	AR131-01	Cover	2
2	AR031FL70-00	Wall flange set	2
1	GT131-001	Shower mixer handle set	1
ID Nr	Code	Description	Pcs

		Sheet 1 of 3	
N°	REVIEW	Date	Scale 1:3
Description			Material
Shower mixer with 2-way diverter			Weight 0 kg
Code	Date of issue	Chamfers not quoted	Finishing
GT129-00	04/05/2026	0.5x45°	SM LU CR Grinding Polishing GN
This drawing is property reserved of Hotbath Srl. Without express authorization, the copying, distribution and utilization of this document as well as the communication to others is prohibited.			
			hotbath italian bathroomware