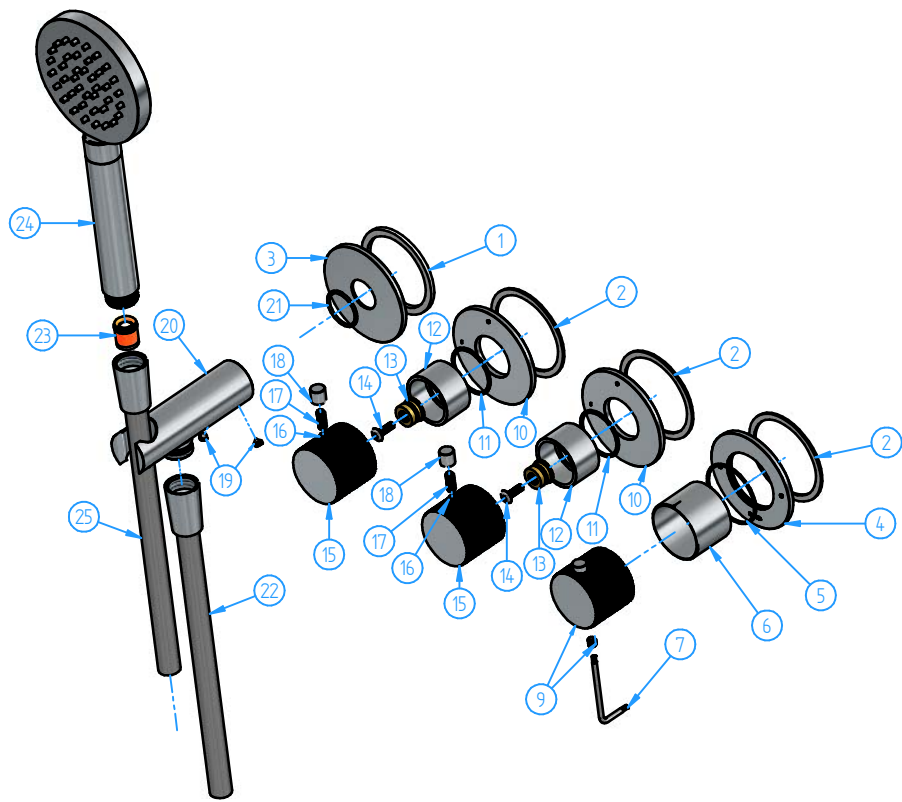
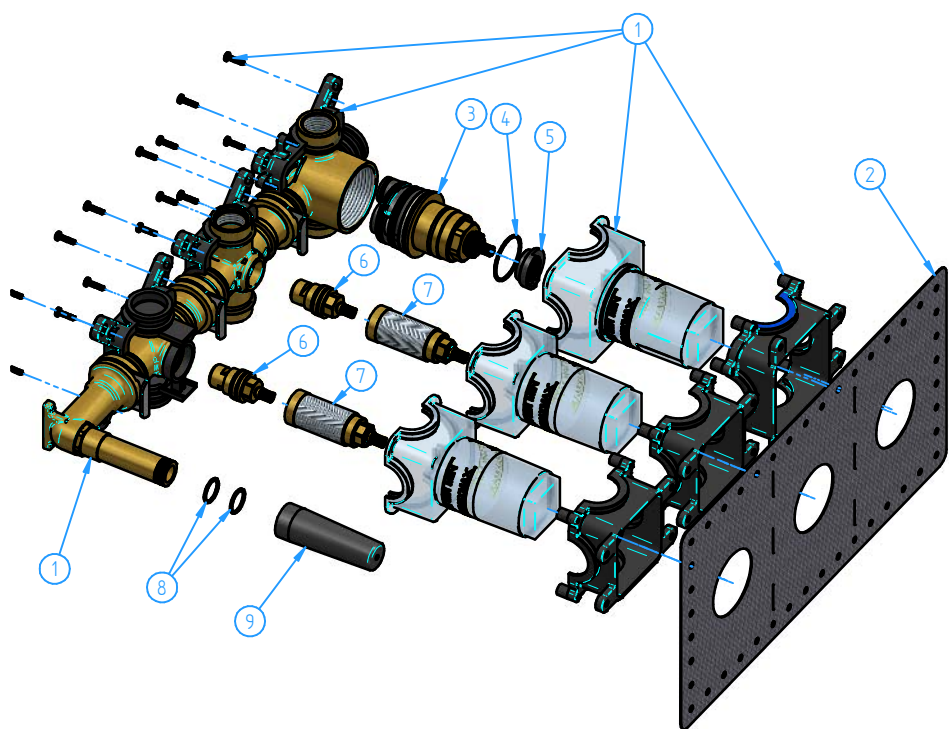


2	HBCB7071-00	Concealed parts for CB7071-CX7071-CW7071-GL7071-AR7071-GY7071	1
1	GY7071DEXT-00	External parts for GY7071D	1
ID Number	Code	Description	Pcs



25	M017-00	Flexible hose (for BBP/TB finishes)	1
24	M355-00	Monospray ø9,4 cm hand shower	1
23	M352-002	Check valve CV15-FR with flow regulator 9.0 l/min	1
22	M015-00	Flexible hose	1
21	CB7501-05	O.ring 23.52x1.78	1
20	CB7501-001	Wall coupling with hand shower bracket	1
19	CB7501-04	Dowel M5x5	2
18	CB7068-04	Handle pin	2
17	CB7068-05	Dowel M5x14	2
16	CB7068-03	Dowel M5x5	2
15	GY7068-02	Handle body D (for stop valve and diverter)	2
14	CB0768-10	Screw	2
13	CB0768-11	Adaptor	2
12	CB7068-07	Locking nut for wall flange	2
11	CB7068-06	O.ring 31.47x1.78	2
10	CB7068-02	Wall flange	2
9	GY7001-002	Thermostatic handle set (Diamond)	1
7	CB7068-08	Allen wrench 2,5 mm	1
6	CB7001-02	Cover	1
5	CB7001-03	O.ring 40x2	1
4	CB7001-01	Wall flange	1
3	CB7501-01	Wall flange	1
2	CB7068-09	Washer for flange	3
1	CB7501-07	Whasher for flange	1
ID Number	Code	Description	Pcs



9	HBCB7071-01	Protection cover	1
8	CB7501-06	O.ring 17.17x1.78	2
7	HBCB7068-002	Extension for headwork	2
6	HBCB7068-003	Ceramic headwork	2
5	HBCB7001-01	Stop ring	1
4	HBCB7001-02	O.ring 34.65x1.78	1
3	HBCB7001-001	Thermostatic cartridge (with stop valves and	1
2	HBCB7066-01	Wall gasket	1
1	HBCB7071-006	Preassembled set for HBCB7071	1
ID Number	Code	Description	Pcs

		Sheet 1 of 3	
N°	REVIEW	Date	Scale 1:5
Description			Material
Concealed thermostatic mixer for bathtub, with 2 stop valves and hand shower			Weight 0 kg
Code GY7071D-00	Date of issue 15/11/2024	Chamfers not quoted 0.5x45°	
<small>This drawing is property reserved of Hotbath Srl. Without express authorization, the copying, distribution and utilization of this document as well as the communication to others is prohibited.</small>			