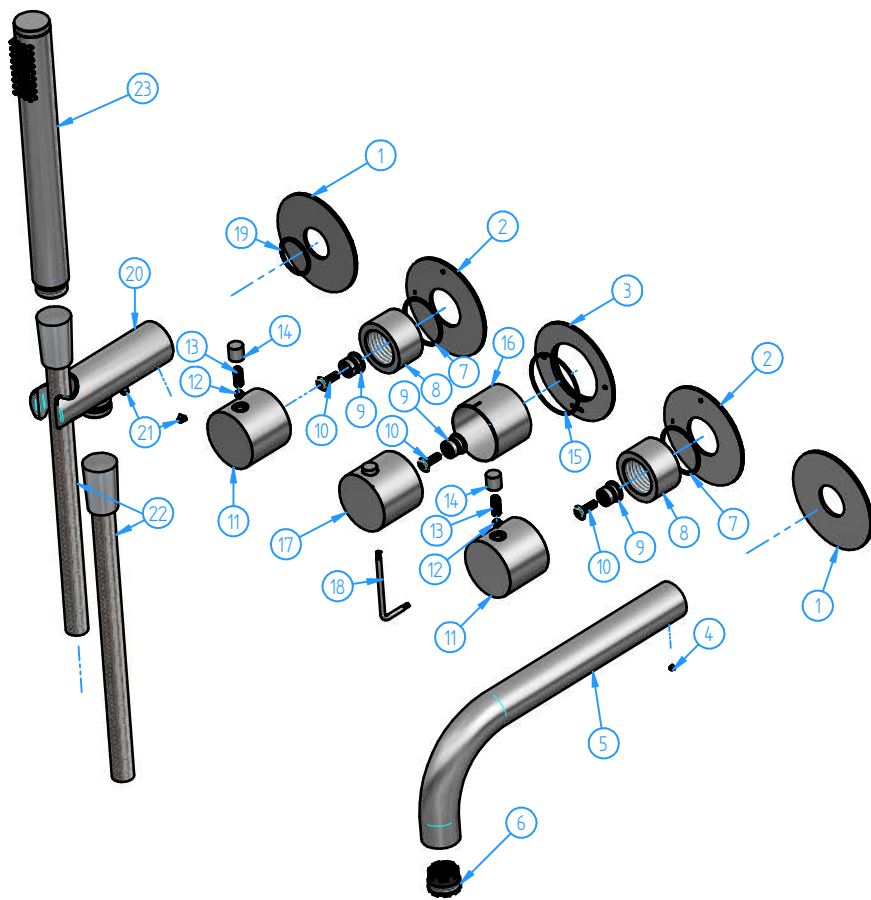
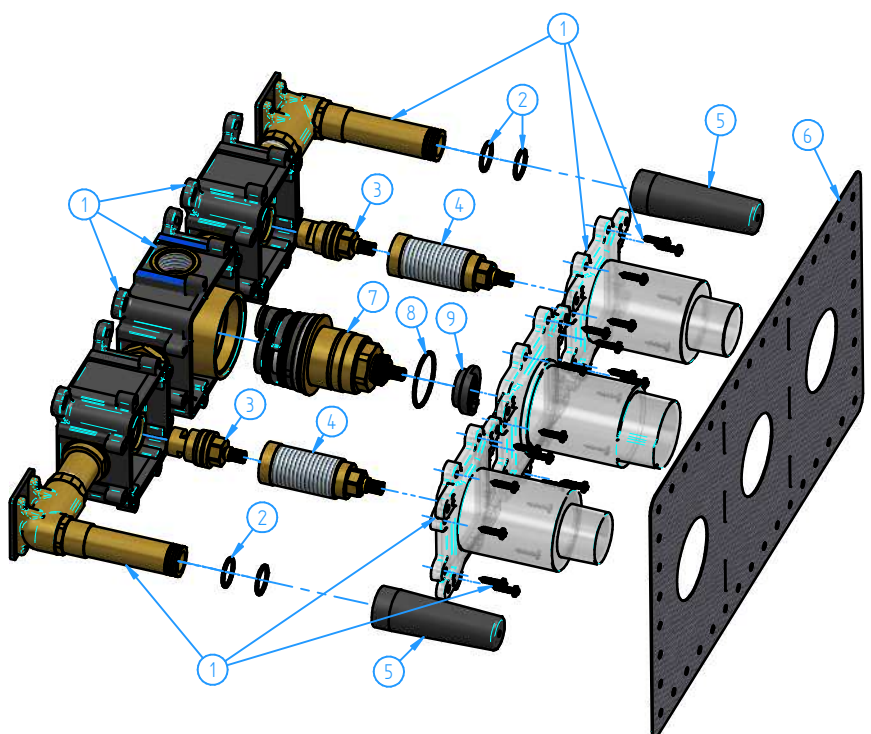


2	AR7072EXT-00	Trim parts for AR7072	1
1	HCB7072-00	Concealed parts for CB7072-CX7072-CW7072-GL7072-AR7072	1
ID Number	Code	Description	Pcs



23	AR350	Handshower	1
22	M015-00	Flexible hose	1
21	CB7501-04	Dowel M5x5	2
20	AR7501-001		1
19	CB7501-05	O.ring 23.52x1.78	1
18	CB7068-08	Allen wrench 2,5 mm	1
17	AR7001-001	Thermostatic handle	1
16	AR7001-02	Cover	1
15	CB7001-03	O.ring 40x2	1
14	AR7068-04	Handle pin	2
13	CB7068-05	Dowel M5x14	2
12	CB7068-03	Dowel M5x5	2
11	AR7068-01	Handle body for stop valve	2
10	CB0768-10	Screw	3
9	AR7068-05	Adaptor	3
8	AR7068-07	Locking nut for wall flange	2
7	CB7068-06	O.ring 31.47x1.78	2
6	CB7098-001	Flow guide 21,5x1	1
5	AR7098-01	Body spout	1
4	CB7098-02	Dowl M4x3	1
3	AR7001-01	Wall flange for thermostatic	1
2	AR7068-02	Wall flange for stop valve	2
1	AR7501-01	Wall flange for spout and hand shower support	2
ID Number	Code	Description	Pcs



9	HBCB7001-01	Stop ring	1
8	HBCB7001-02	O.ring 34.65x1.78	1
7	HBCB7001-001	Thermostatic cartridge (with stop valves and	1
6	HBCB7066-01	Wall gasket	1
5	HBCB7071-01	Protection cover	2
4	HBCB7068-002	Extension for headwork	2
3	HBCB7068-003	Ceramic headwork	2
2	CB7501-06	O.ring 17.17x1.78	4
1	HBCB7072-001	Preassembled set for HBCB7072	1
ID Number	Code	Description	Pcs

		Sheet 1 of 1	
N°	REVIEW	Date	Scale 1:5
Description			Material
Concealed thermostatic mixer for bathtub, with 2 stop valves, spout and hand shower			Weight 0 kg
Code AR7072-00	Date of issue 04/11/2021	Chamfers not quoted 0.5x45°	
<small>This drawing is property reserved of Hotbath Srl. Without express authorization, the copying, distribution and utilization of this document as well as the communication to others is prohibited.</small>			