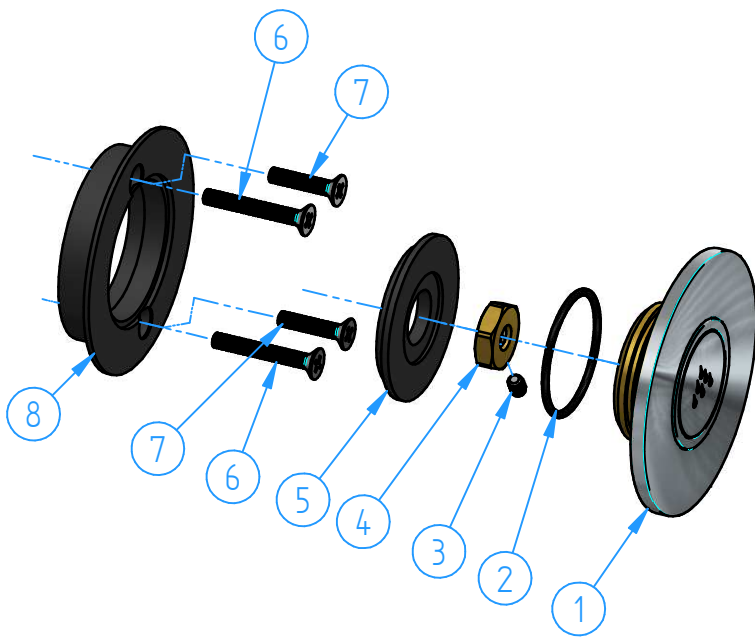
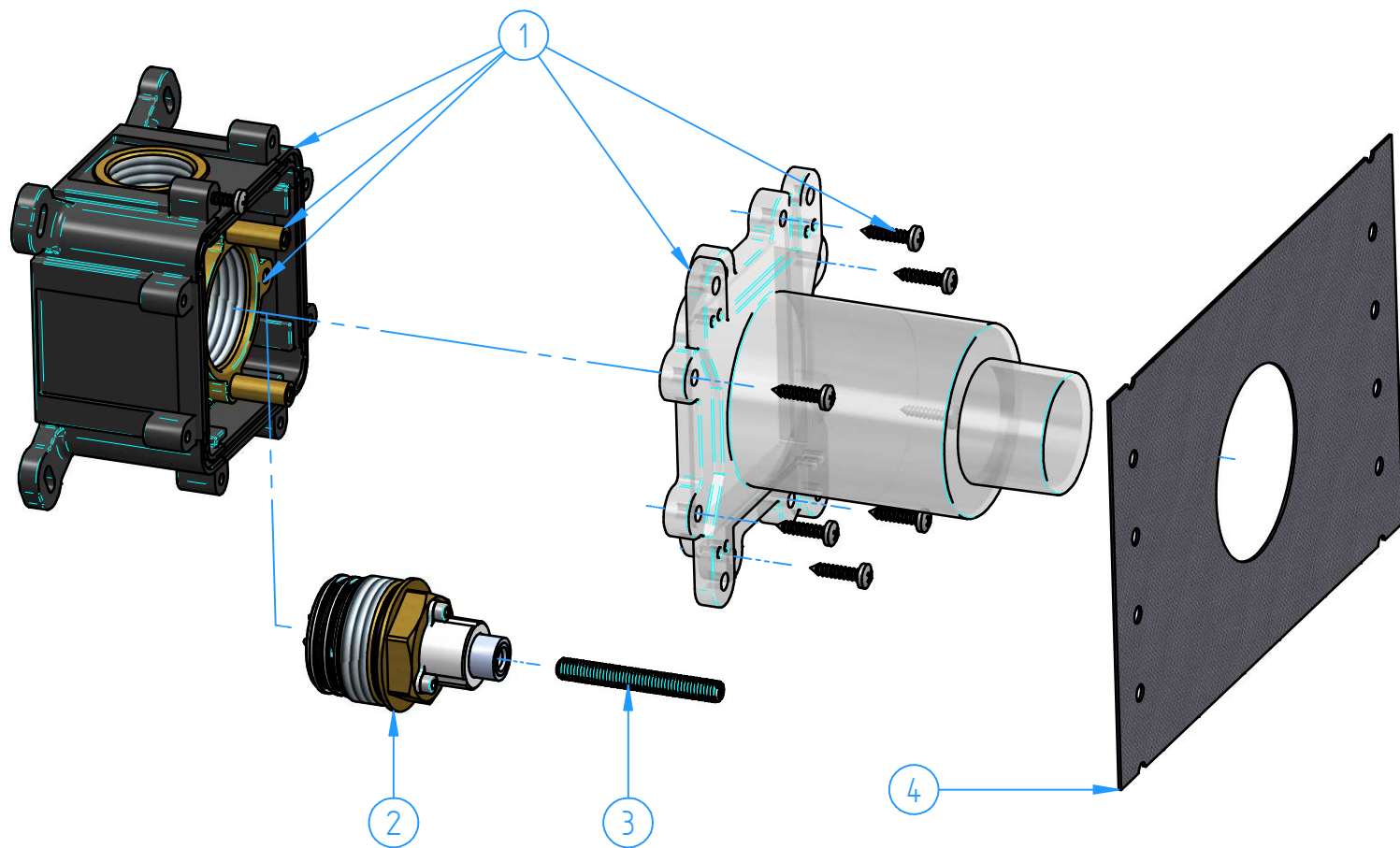


2	CB7PB068EXT-00	Trim parts for CB7PB7068-CB7PB069	1
1	HBCB7069PB-00	Concealed set for push-button	1
ID Number	Code	Description	Pcs



8	CB7PB7068-04	Plastic support for push button	1
7	CB7PB7068-06	Screw M4x20	2
6	CB7PB7068-05	Screw M4x30	2
5	CB7PB7068-03	Template	1
4	CB7PB7068-01	Nut for regulation	1
3	CB7PB7068-02	Dowel M4x6	1
2	CB7068-06	O.ring 31.47x1.78	1
1	CB7PB7068-001	Push button	1
ID Number	Code	Description	Pcs



4	HBCB0768-02	Wall gasket	1
3	HBCB7PB7068-01	Plastic threaded rod	1
2	HBCB7PB7068-002	Push button cartridge	1
1	HBCB7069PB-001	Box	1
ID Number	Code	Description	Pcs

N°		REVIEW	Date	Sheet	1 of 1
Description		Push-button flow-through concealed tap		Scale	1:2
Code		Date of issue	Chamfers not quoted	Weight	0 kg
CB7PB069-00	16/04/2020	0.5x45°			
<small>This drawing is property reserved of Hotbath Srl. Without express authorization, the copying, distribution and utilization of this document as well as the communication to others is prohibited.</small>					