

Concealed thermostatic mixers and stop valves
Miscelatori termostatici da incasso e rubinetti d'arresto
Mitigeurs thermostatiques encastrés et robinet d'arrêt
UP-Thermostatmischer und UP-Ventil

CB7001H - CX7001H



CB7001V - CX7001V



CW7001H



CW7001V



Page 1 - 5

CB7068 - CX7068



CB7069 - CX7069



CB7080 - CB7083 - CX7080



CW7068



CW7069



CW7080



Page 6 - 9

CB7068PB







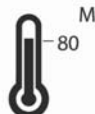



CB7069PB



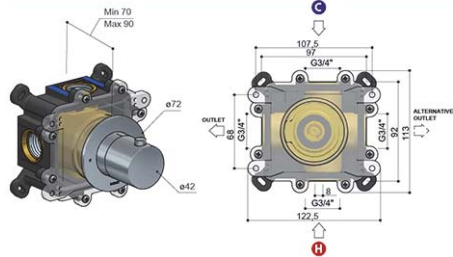
Page 10 - 14

BEFORE STARTING / PRIMA DI INIZIARE / AVANT DE COMMENCER / VOR DEM START

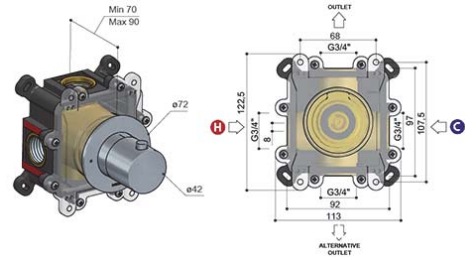
 P bar	 MAX 5 1 MIN	 3 thumbs up		RECOMMENDED: BALANCED PRESSURES  bar thumbs up bar
 T °C	 MAX 80	 60 45 thumbs up		

CB7001H - CB7001V - CX7001H - CX7001V - CW7001H - CW7001V

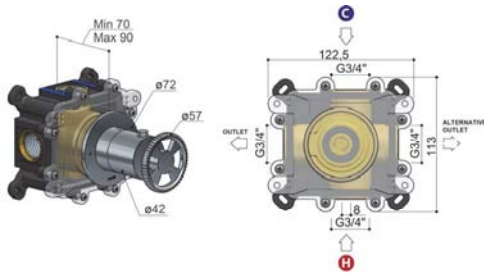
CB7001H - CX7001H



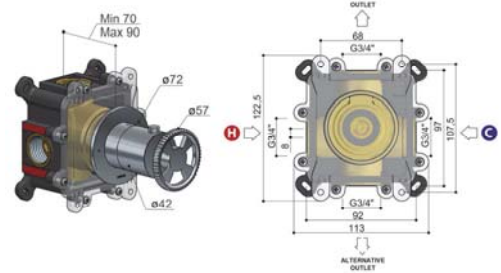
CB7001V - CX7001V



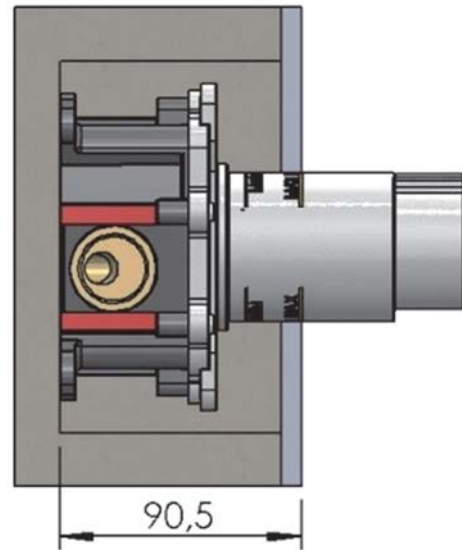
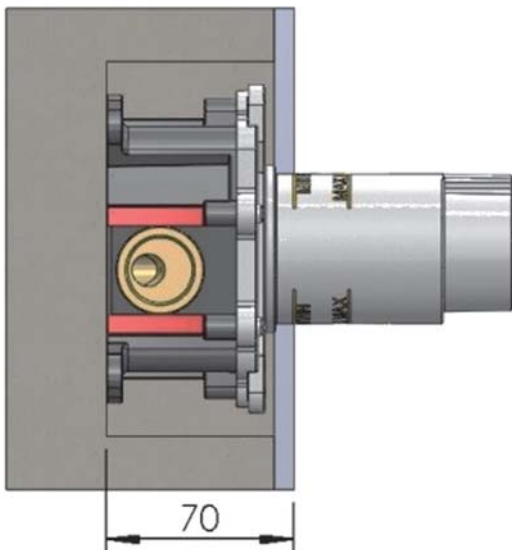
CW7001H



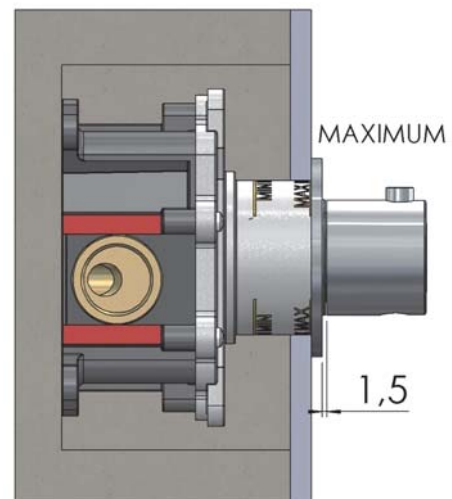
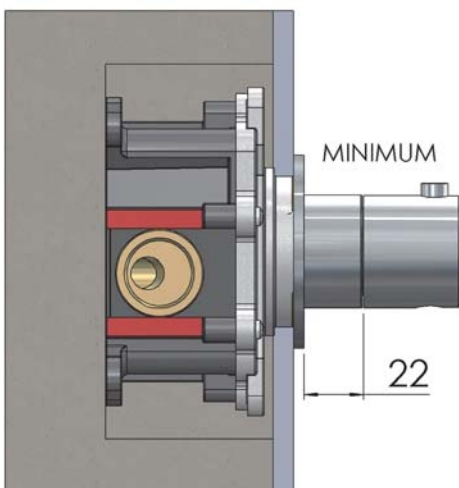
CW7001V



Consider the thickness of the final coating (tiles, marble etc.)

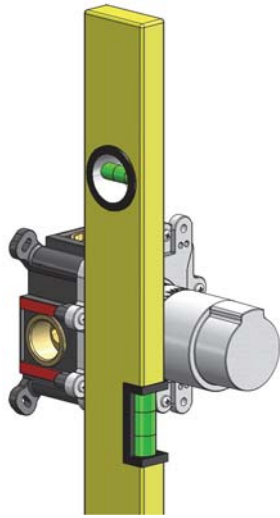


The plate slides from a minimum to a maximum.

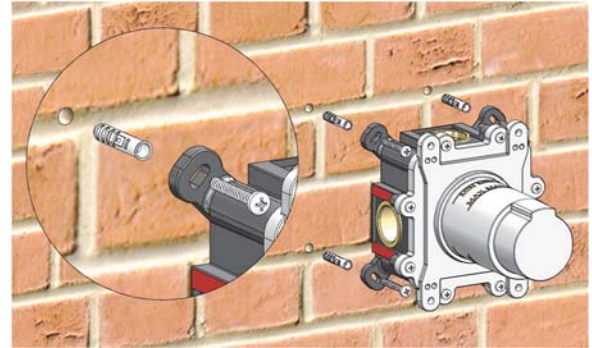


CB7001H - CB7001V - CX7001H - CX7001V - CW7001H - CW7001V

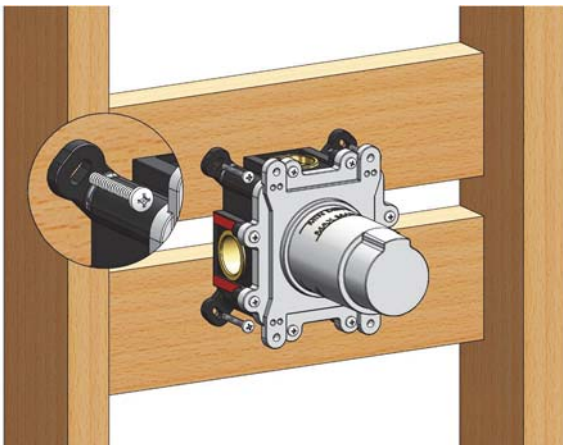
Use a level to find the correct position



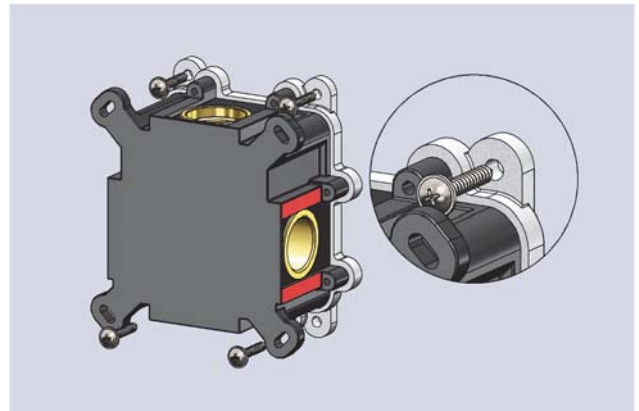
For **in-wall installation**, drill the wall and use plugs and screws to fix the box to the wall



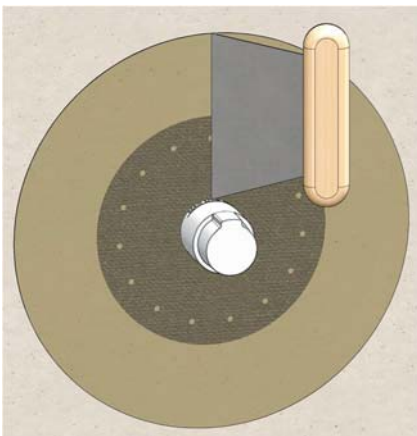
For **frame installation**, use the screws to fix the box to the wood panels



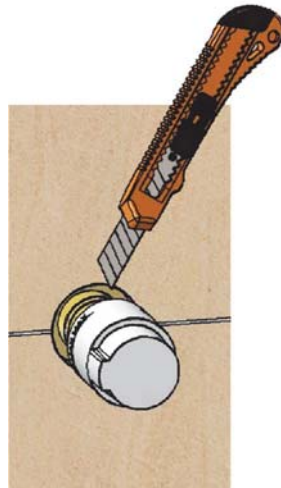
For **plasterboard**, use the screws to fix the box to the drywall



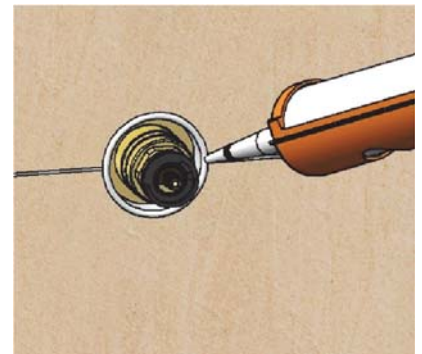
Before tiling attach the seal to the wall with glue.



Once the tap/diverter is installed in the wall, cut along the finished wall and remove the plastic protection.



Pour silicone between the plastic protection and the wall.



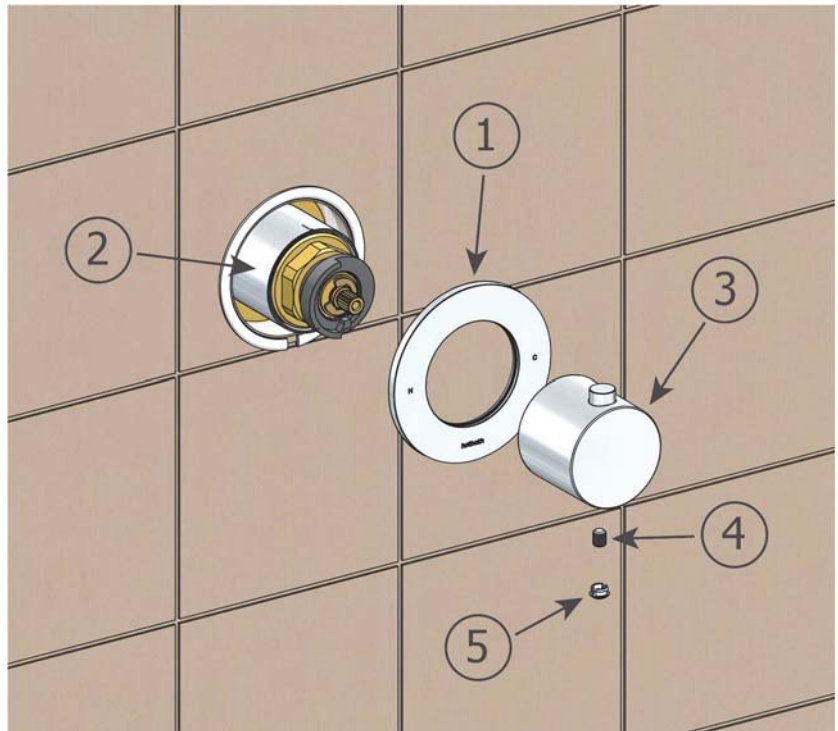
CB7001H – CB7001V

CX7001H – CX7001V

Fix the cover plate (1) on the chromed ring (2).

Fix the handle (3) screw the grub screw (4) with a 2,5 mm Allen key.

Fix the cap (5).

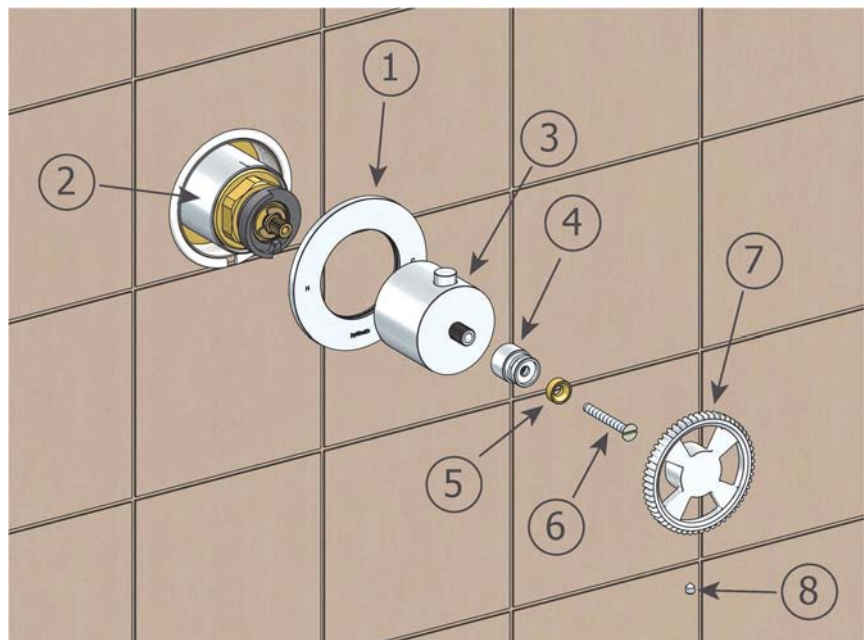


CW7001H – CW7001V

Fix the cover plate (1) on the chromed ring (2).

Fix the handle (3) the insert (4), washer (5) and fix the screw (6).

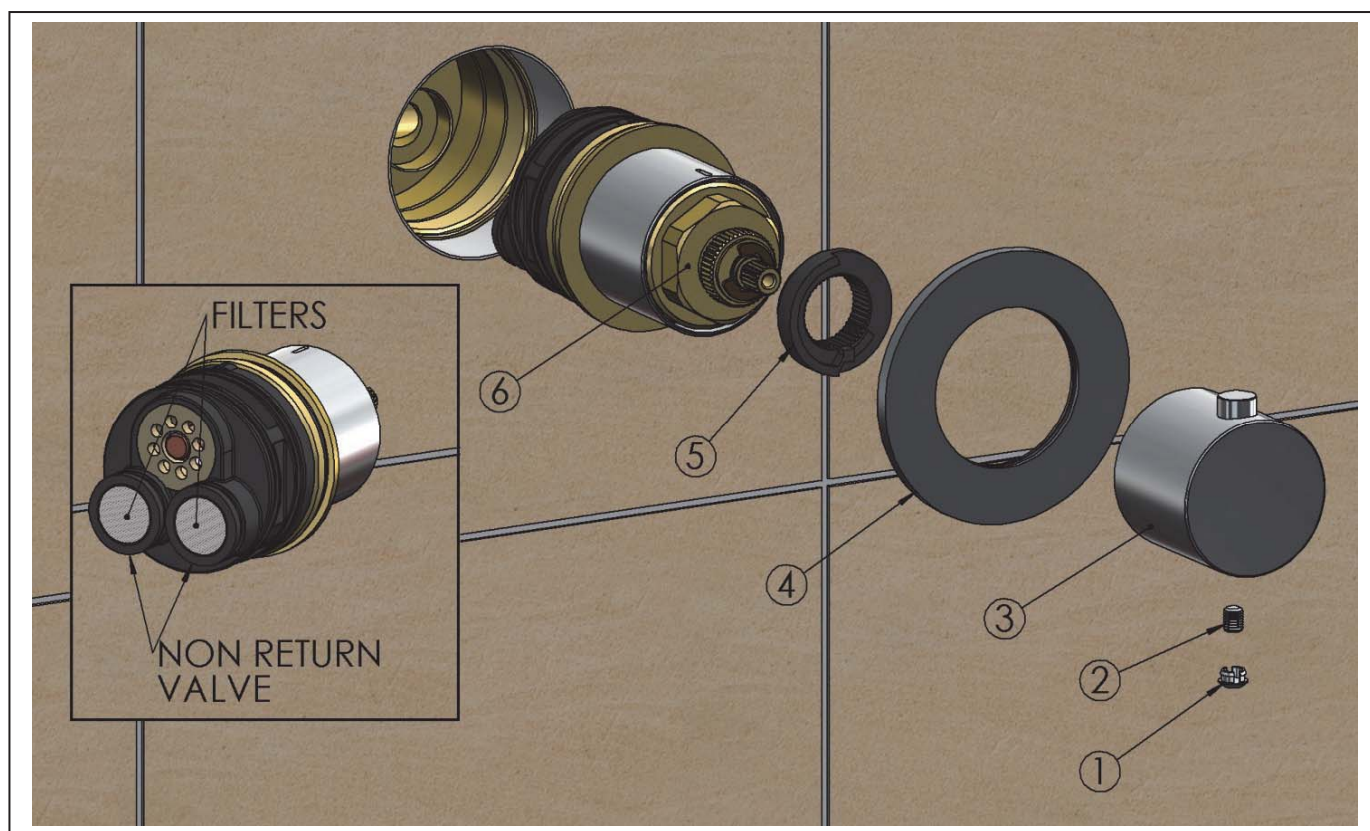
Position the handle (7) on the insert (4) and screw the grub screw (8) with a 2,5 mm Allen key.



MAINTENANCE AND REPLACEMENT OF THE THERMOSTATIC CARTRIDGE AND VALVE HOLDERS

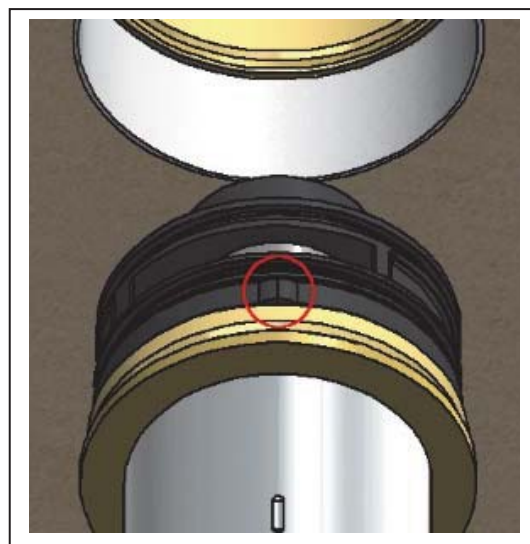
REMOVAL OF THE THERMOSTATIC CARTRIDGE

- 1) Remove the cap (1), unscrew the grub screw (2) with a 2,5 mm Allen key
- 2) Remove the handle (3). Remove the plate (4).
- 3) Close the water inlets in order to isolate the thermostatic cartridge.
- 4) Remove the stop ring (5).
- 5) Unscrew the thermostatic cartridge (6) anti-clockwise with a 30mm wrench.
- 6) Remove the thermostatic cartridge (6) and clean its filters under running water or leave to soak in vinegar in presence of limestone. **Grease the O-rings and, if damaged, replace them with new ones: 2x OR 2175 mm 44,17 x 1,78 1x OR 2187 mm 47,35 x 1,78**



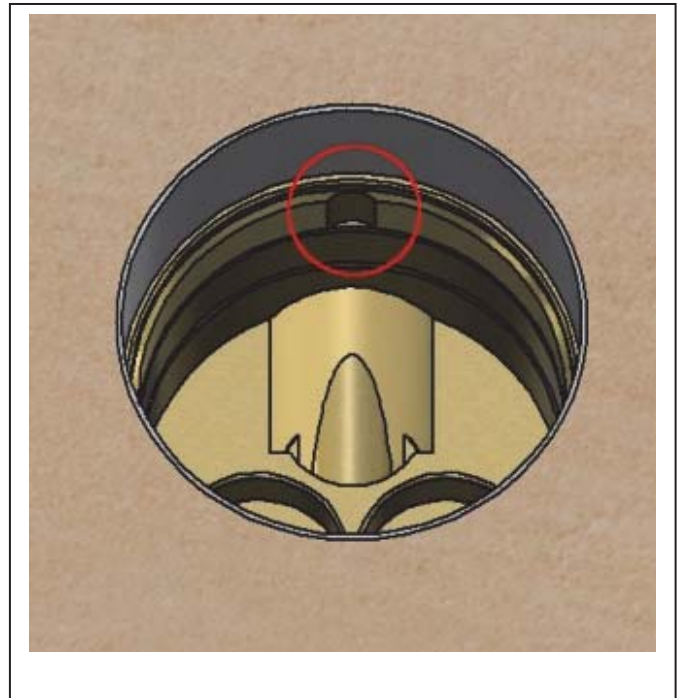
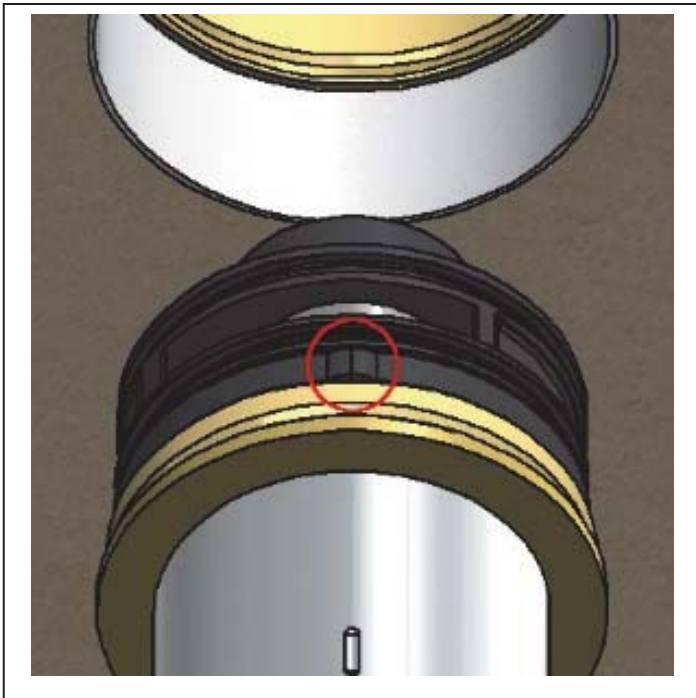
THERMOSTATIC CARTRIDGE INSTALLATION

1. Check that the reference on the body of the cartridge is pointing upwards



CB7001H - CB7001V - CX7001H - CX7001V - CW7001H - CW7001V

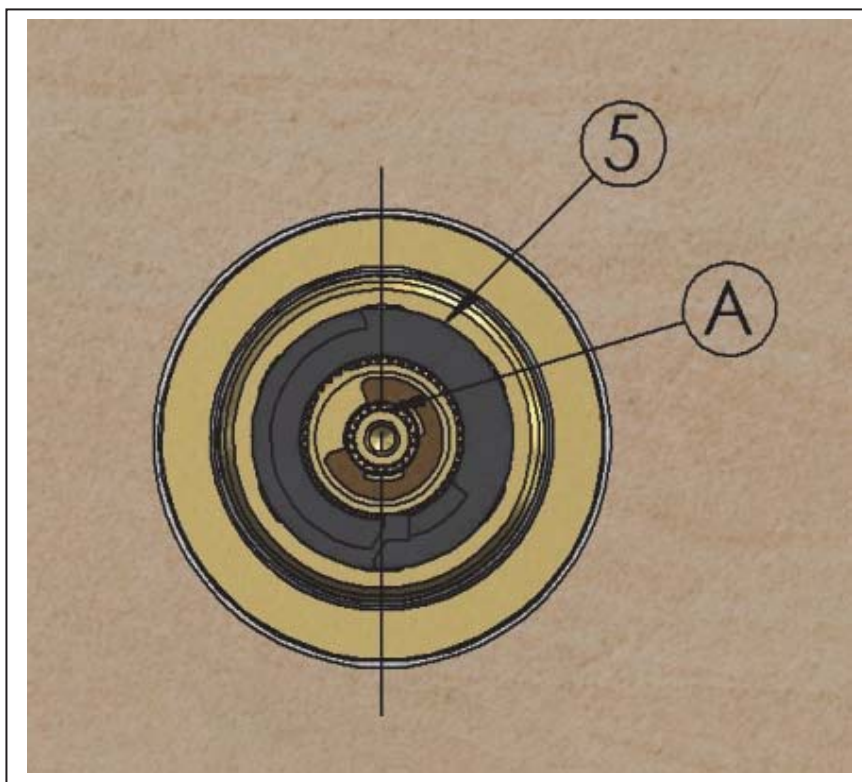
- Match the reference on the body of the thermostatic cartridge with the reference on the body of the mixer



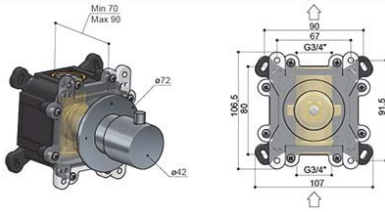
- Screw the thermostatic cartridge (6) clockwise with a 30mm wrench.

POSITION OF THE STOP RING

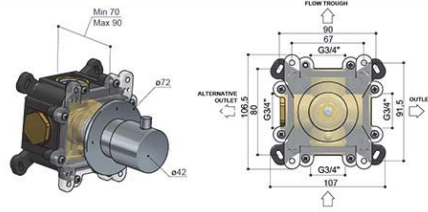
- Place the stop ring (5) as shown in the image below.
- Using the handle, rotate the broached rod (A) to reach the set temperature of 38°C (check the temperature with a thermometer).



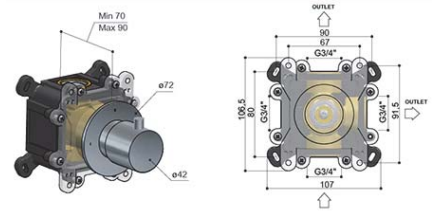
CB7068 - CX7068



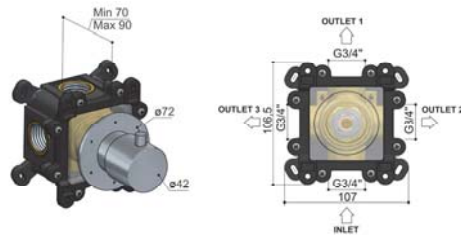
CB7069 - CX7069



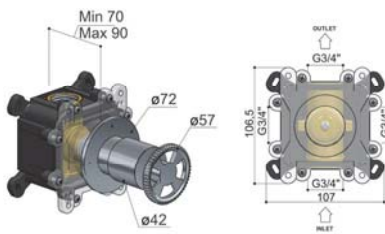
CB7080 - CX7080



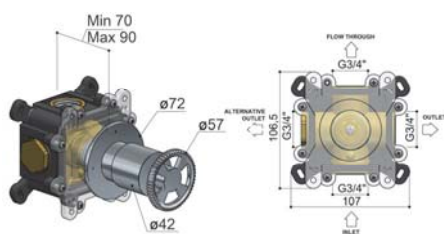
CB7083



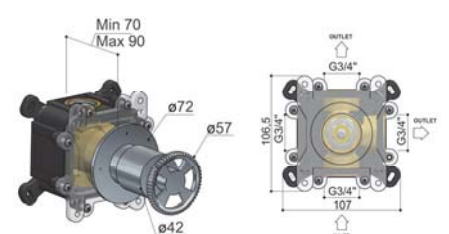
CW7068



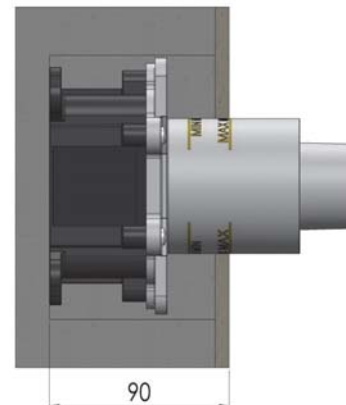
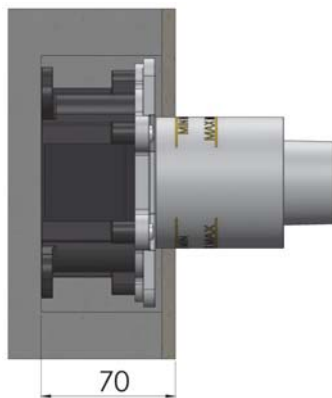
CW7069



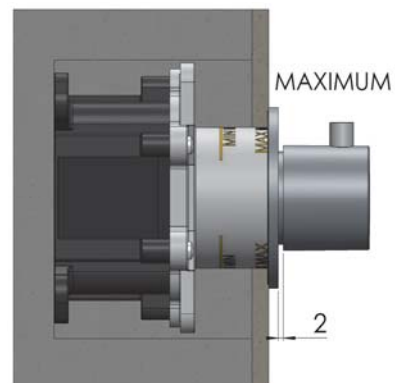
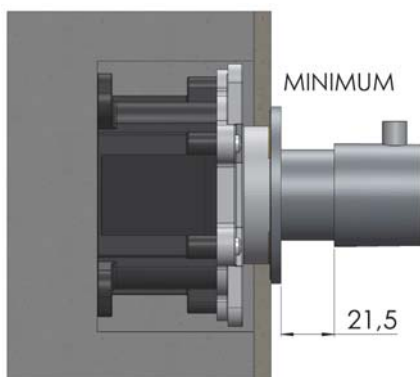
CW7080



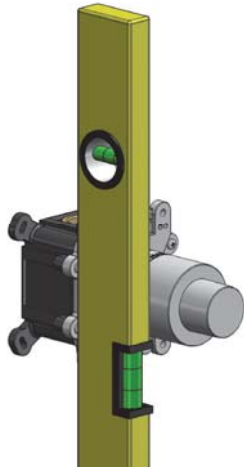
Consider the thickness of the final coating (tiles, marble etc.)



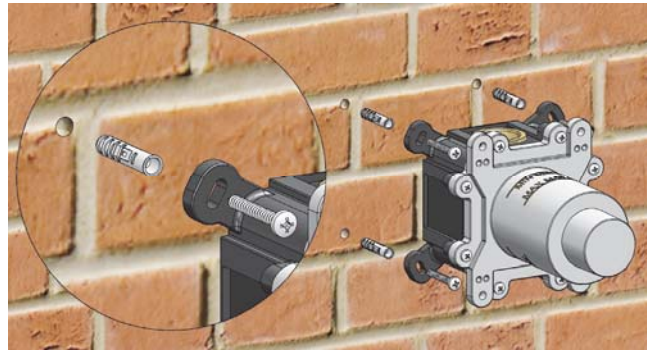
The plate slides from a minimum to a maximum.



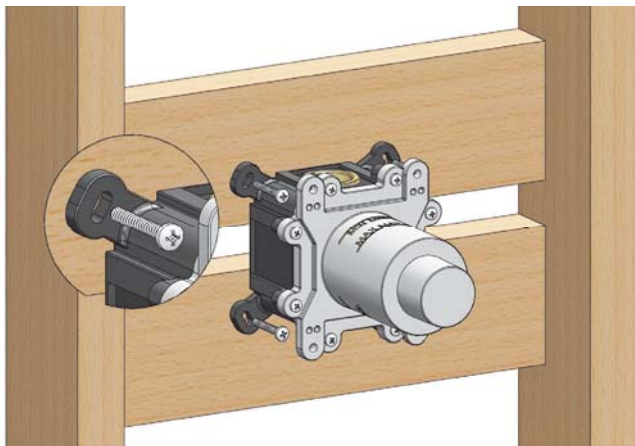
Use a level to find the correct position



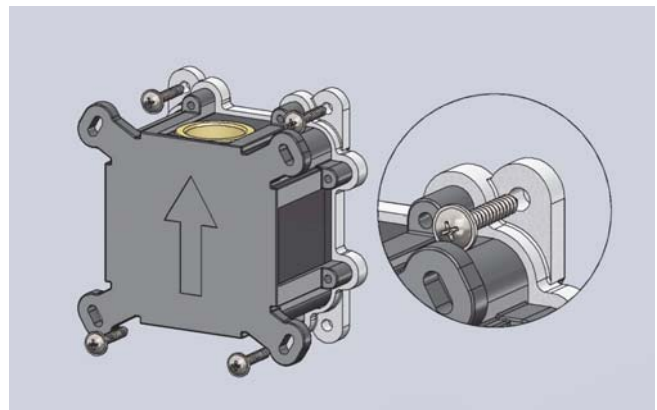
For **in-wall installation**, drill the wall and use plugs and screws to fix the box to the wall



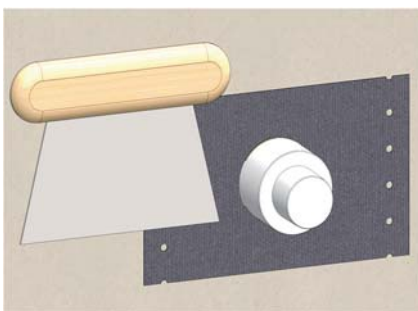
For **frame installation**, use the screws to fix the box to the wood panels



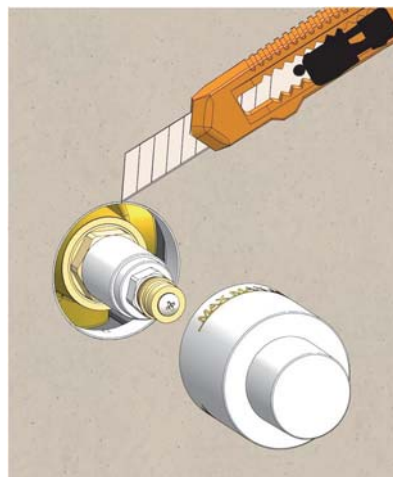
For **plasterboard**, use the screws to fix the box to the drywall



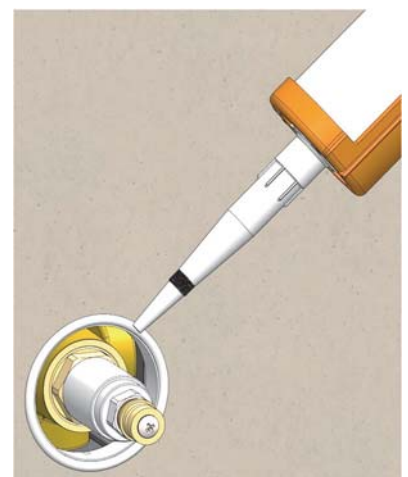
Before tiling attach the seal to the wall with glue.



Once the tap/diverter is installed in the wall, cut along the finished wall and remove the plastic protection.



Pour silicone between the plastic protection and the wall.



CB7068 – CB7069– CB7080 – CX7068 – CX7069 – CX7080

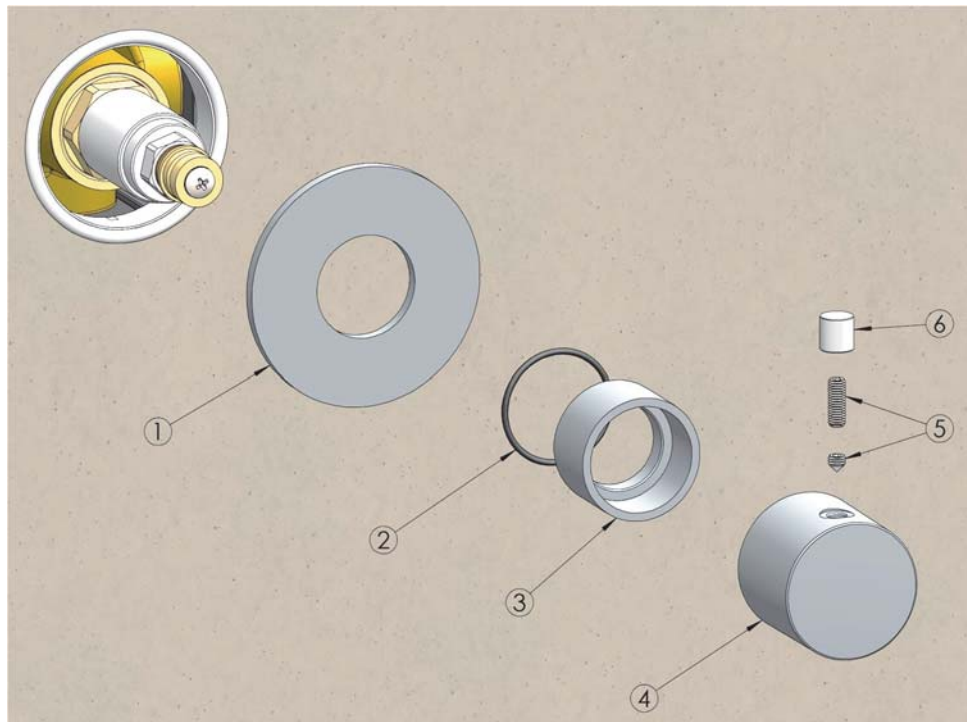
Push the cover plate (1) to the wall.

Screw the adapter (3), with its O-ring (2), until the plate (1) is against the wall.

Fit the handle (4).

Screw grub screw (5) with a 2,5 mm Allen key.

Screw the lever (6)



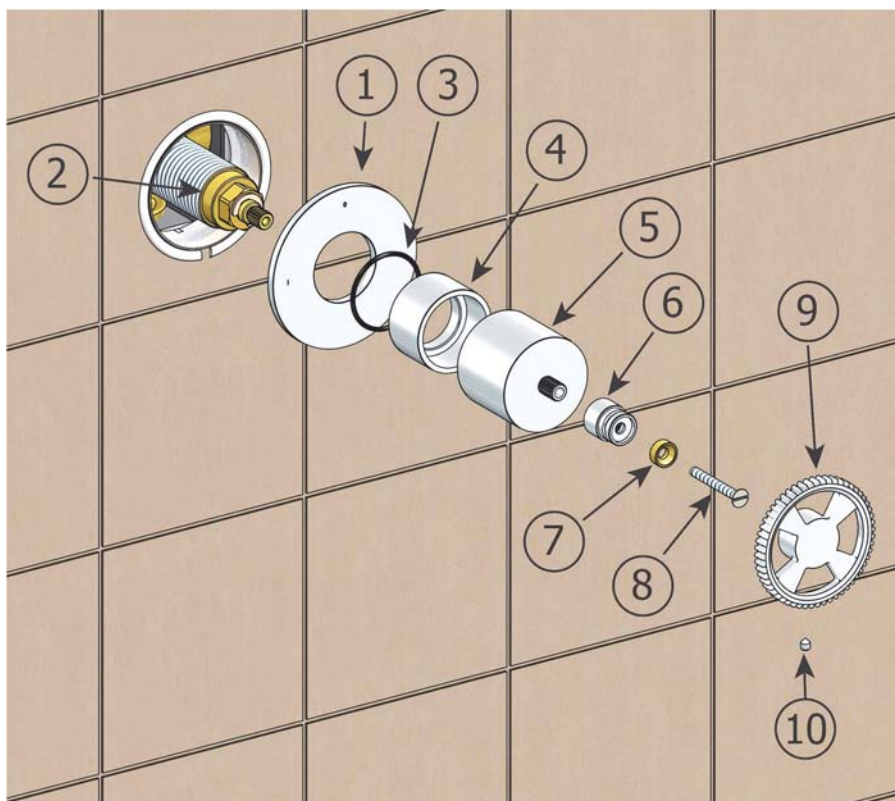
CW7068 – CW7069 – CW7080

Fix the cover plate (1) on the threaded rod (2).

Screw the adapter (4) with their O-ring (3), until the plate (1) is against the wall.

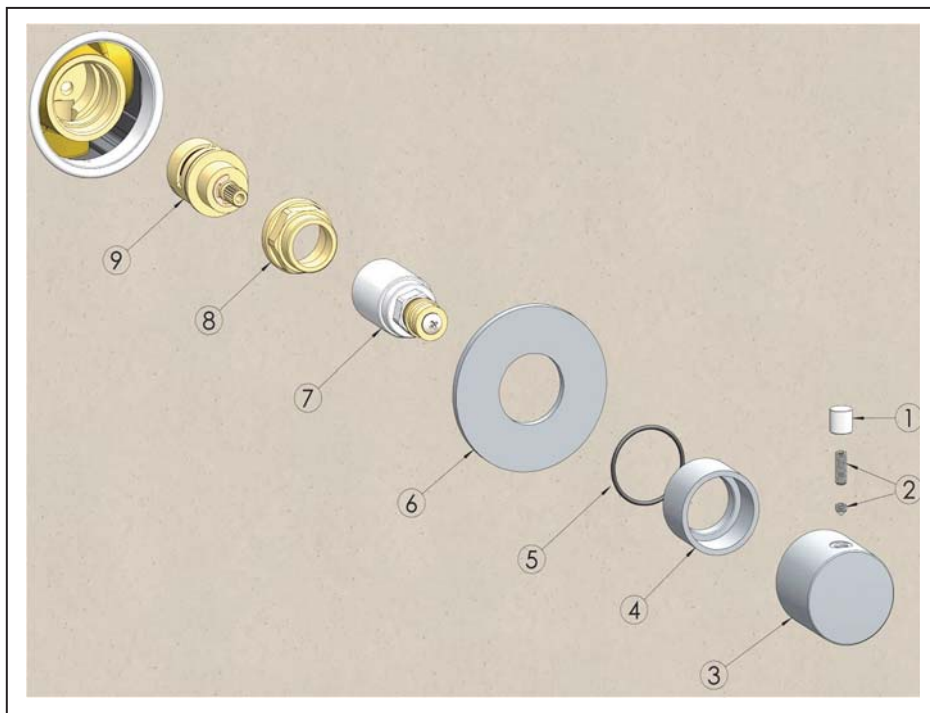
Fix the body (5), the insert (6), washer (7) and fix the screw (8).

Position the handle (9) on the insert (6) and screw the grub screw (10) with a 2,5 mm Allen key.



MAINTENANCE/REPLACEMENT OF THE SHUT OFF

- 1) Close the water inlets.
- 2) Remove the lever (1) and the grub screw (2) with 2,5 mm Allen key.
- 3) Remove the handle (3).
- 4) Unscrew the chromed adapter (4), being careful not to lose the O-ring (5).
- 5) Remove the cover plate (6).
- 6) Unscrew the flange (8) anti-clockwise, with a 17 wrench.
- 7) Remove the diverting cartridge (9).
- 8) Before replacing the cartridge, clean thoroughly and grease the inner seat of the body.
- 9) Replace the cartridge (9). Place the pivot in its seats.
- 10) Screw the flange (8) and the threaded rod (7).
- 11) Assemble the trim following the instructions shown in section "TRIM FIXING".

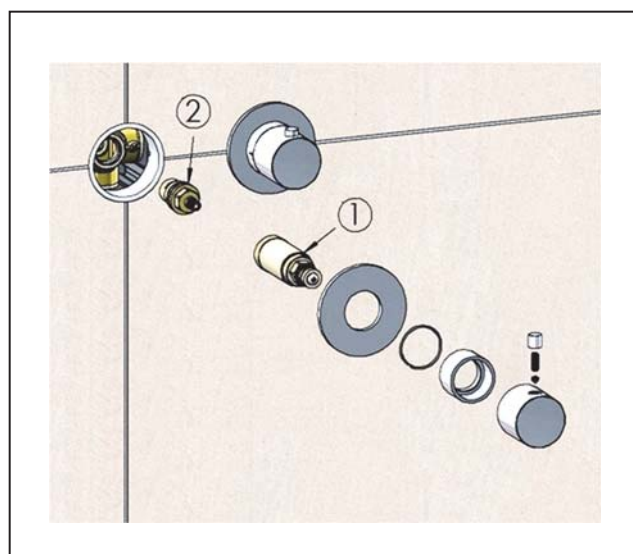


MAINTENANCE/REPLACEMENT OF THE SHUT OFF

- 1) Close the water inlets.
- 2) Remove the lever (1) and the grub screw (2).
- 3) Remove the grub screw (3) with 2,5 mm Allen key.
- 4) Unscrew the chromed adapter (4), being careful not to lose the O-ring (5).
- 5) Remove the cover plate (6).

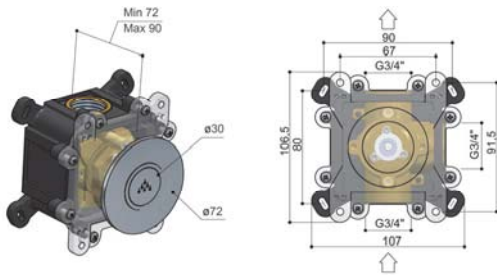
Shut off

- 1) Unscrew the threaded rod (1).
- 2) Unscrew the headwork (2) anti-clockwise, with a 17 wrench.
- 3) Before replacing the headwork, clean thoroughly and grease the inner seat of the body.
- 4) Replace the headwork (2) and screw the threaded rod (1).
- 5) Assemble the trim following the instructions of TRIM FIXING.

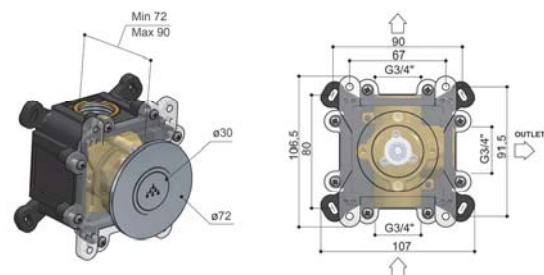


CB7068PB – CB7069PB

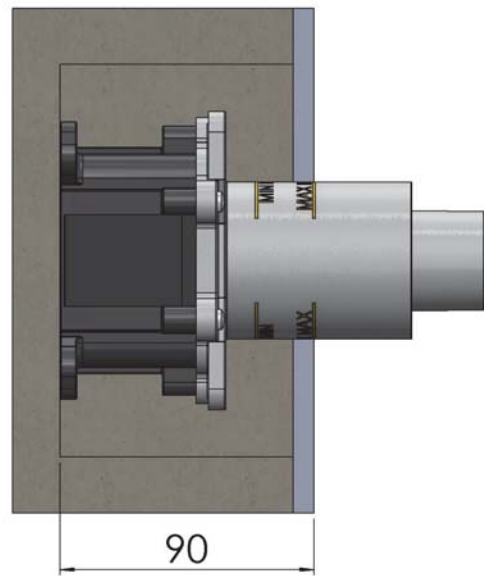
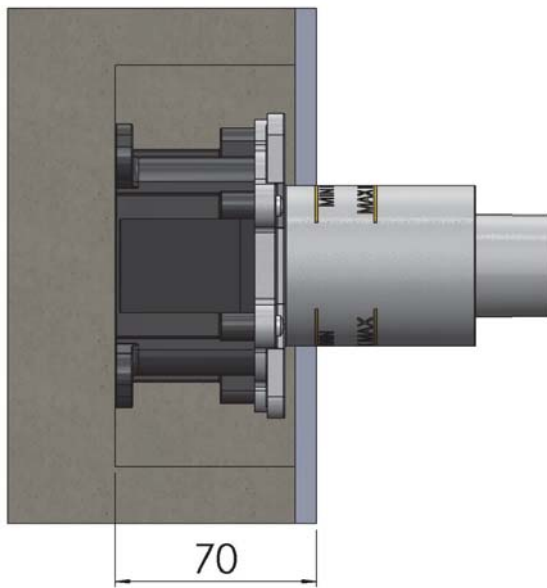
CB7068PB



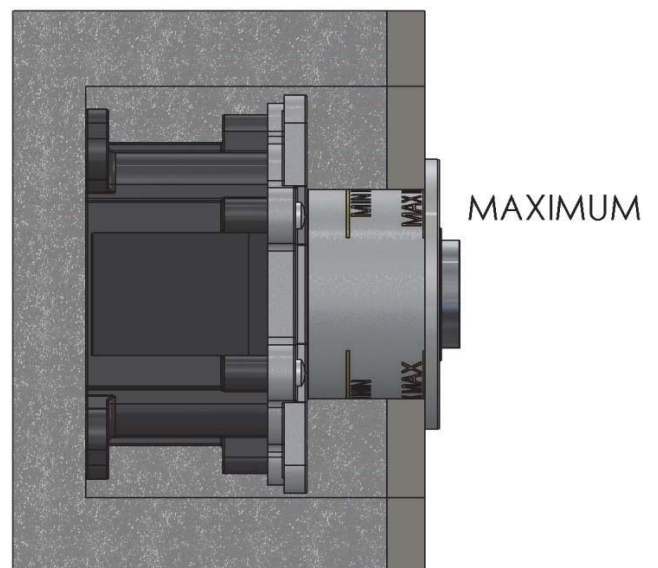
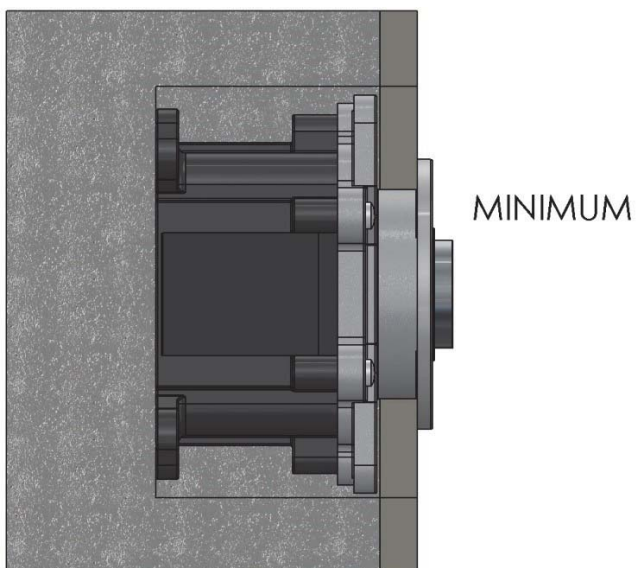
CB7069PB



Consider the thickness of the final coating (tiles, marble etc.)

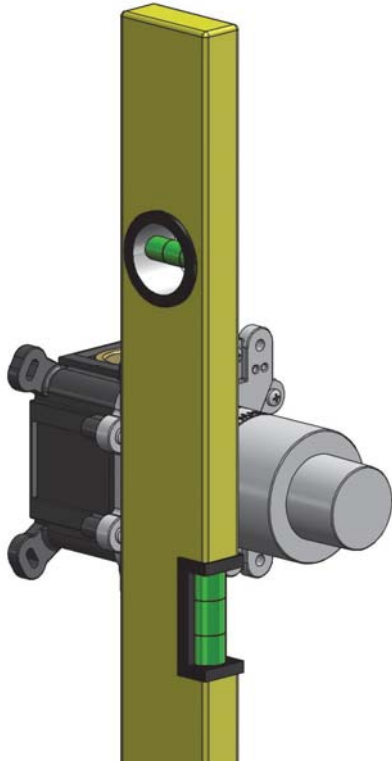


The plate slides from a minimum to a maximum.

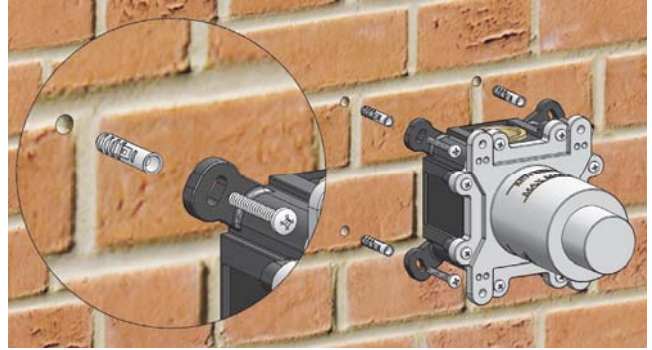


CB7068PB – CB7069PB

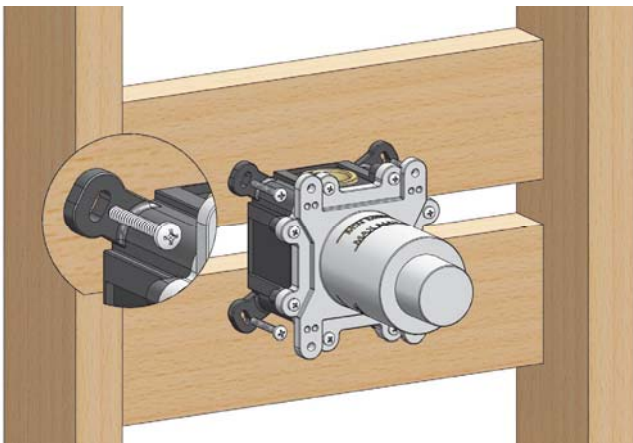
Use a level to find the correct position



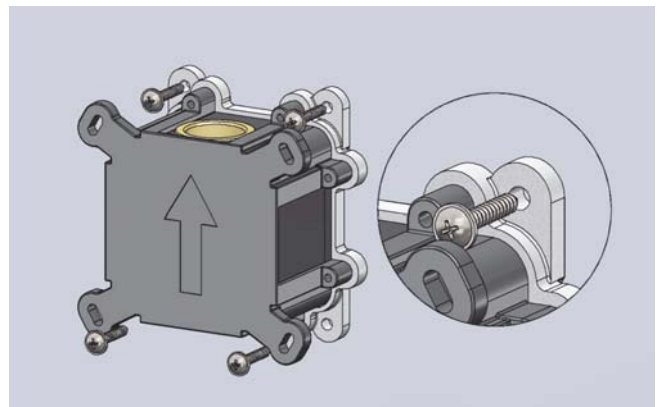
For **in-wall installation**, drill the wall and use plugs and screws to fix the box to the wall



For **frame installation**, use the screws to fix the box to the wood panels

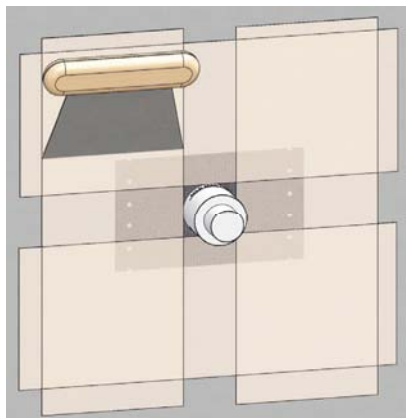


For **plasterboard**, use the screws to fix the box to the drywall

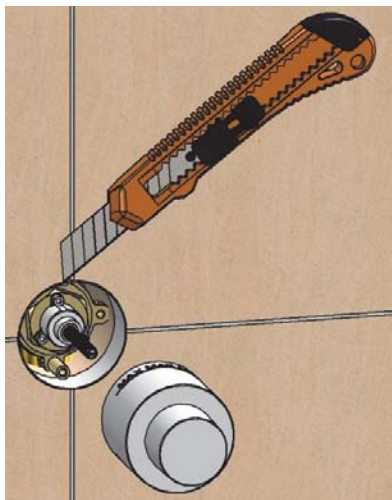


CB7068PB – CB7069PB

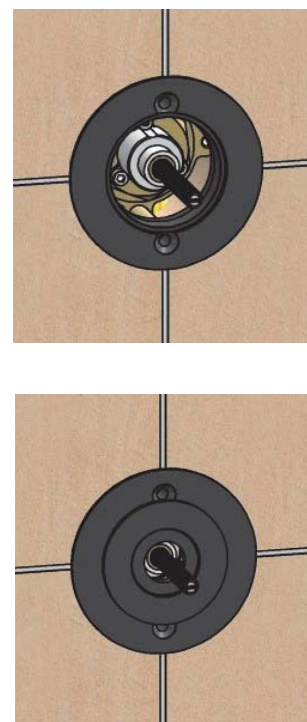
Before tiling attach the seal to the wall with glue.



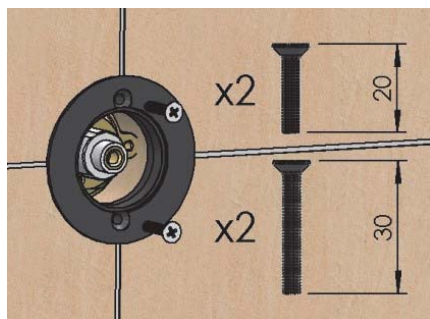
Once the mixer is installed in the wall, cut along the finished wall and remove the plastic protection.



Place the plate support. Use the template to find the correct position.



Screw the two screws to fix the plate support. Two different type of screws are provided: two long 20 mm and two long 30 mm. Try first with screws long 20 mm; if they cannot be screwed, use those long 30 mm.

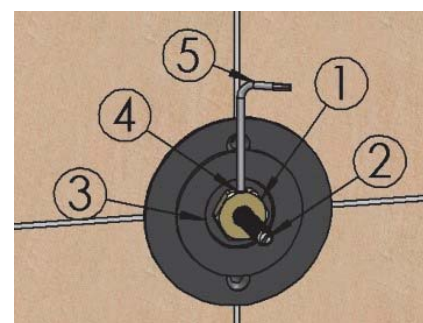


Press the plastic threaded rods and check that they are placed in the **ON** position.



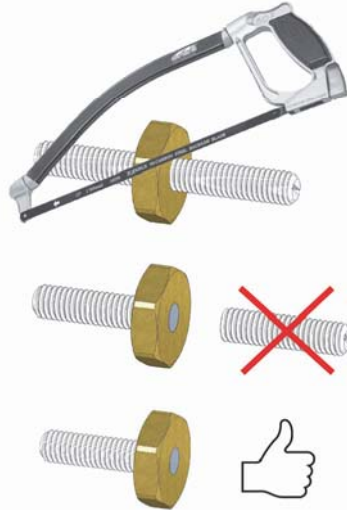
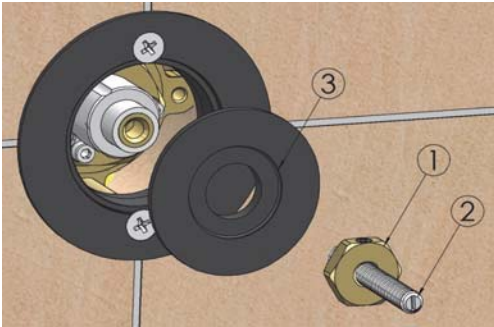
Screw the retaining nut (1), on the plastic threaded rod (2) to press the template (3). Fix the grub screw (4) with the 2 mm Allen key (5).

Repeat on each ON/OFF button

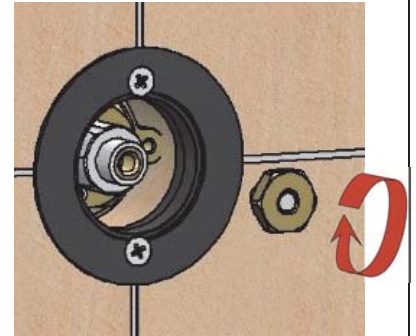


CB7068PB – CB7069PB

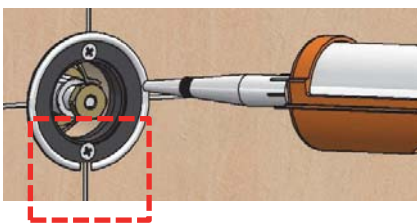
Unscrew the plastic threaded rod (2) and the retainer nut (1). Remove the templates (3).
Cut the plastic threaded rod as close as possible to the retaining nut. Remove the cut part.



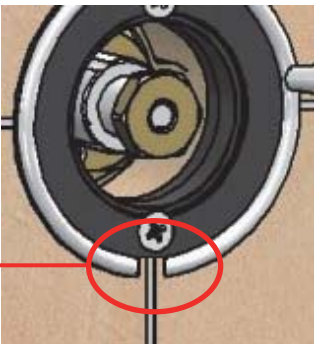
Screw the plastic threaded rod with the retaining nut back in place



Pour silicone between the plastic protection and the wall and over the plate support.



Recommended:
Leave a water safety exit

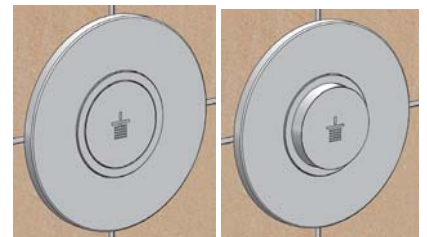


Push the cover plate against the wall.



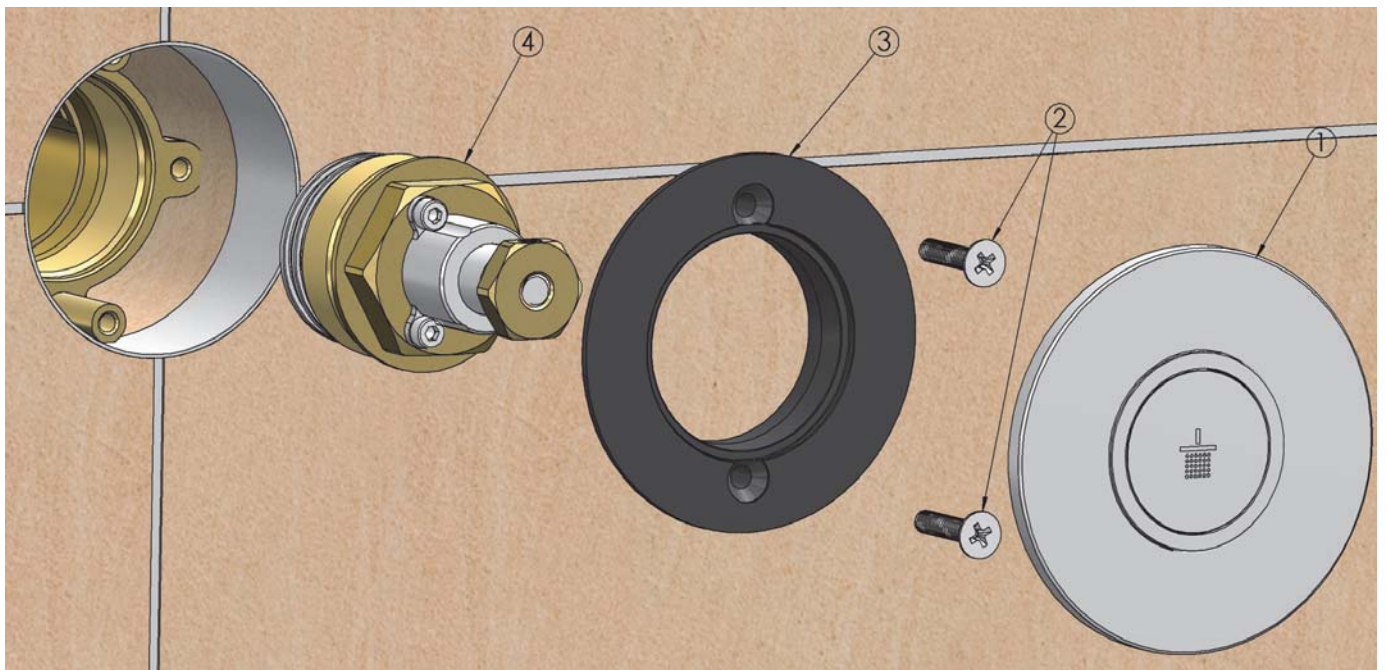
Check the correct functioning of the closure system

ON POSITION **OFF POSITION**



MAINTENANCE/REPLACEMENT OF THE SHUT OFF

- 7) Close the water inlets.
- 8) Remove the screw (2) and plate support (3)
- 9) Unscrew the ON/OFF cartridge (4) anti-clockwise with a 30mm wrench.
- 10) Remove the ON/OFF cartridge (4) and clean under running water or leave to soak in vinegar in presence of limestone.



CLEANING / PULIZIA / NETTOYAGE / REINIGUNG

			WARNING			
CR CHROME	WATER ✓	LIQUID SOAP ✓	SMOOTH CLOTH ✓	ABRASIVE SPONGE ✗	ACID/ABRASIVE DETERGENT ✗	Inoxidizable plated finish Finitura placcata inossidabile Finition plaquée inoxydable Inoxidierbare plattierte Ausführung
GN BRUSHED NICKEL	WATER ✓	LIQUID SOAP ✓	SMOOTH CLOTH ✓	ABRASIVE SPONGE ✗	ACID/ABRASIVE DETERGENT ✗	Inoxidizable plated finish Finitura placcata inossidabile Finition plaquée inoxydable Inoxidierbare plattierte Ausführung
NB NATURAL BRASS	WATER ✓	LIQUID SOAP ✓	SMOOTH CLOTH ✓	ABRASIVE SPONGE ✗	ACID/ABRASIVE DETERGENT ✗	Natural metal finish: patina will form over time Finitura di metallo naturale: si formerà una patina nel tempo Finition en métal naturel: une patine se formera avec le temps Natürliche Metallausführung: eine Patina wird sich mit der Zeit bilden
BB BRUSHED BRASS	WATER ✓	LIQUID SOAP ✓	SMOOTH CLOTH ✓	ABRASIVE SPONGE ✗	ACID/ABRASIVE DETERGENT ✗	Natural metal finish: patina will form over time Finitura di metallo naturale: si formerà una patina nel tempo Finition en métal naturel: une patine se formera avec le temps Natürliche Metallausführung: eine Patina wird sich mit der Zeit bilden
AB AGED BRASS	WATER ✓	LIQUID SOAP ✓	SMOOTH CLOTH ✓	ABRASIVE SPONGE ✗	ACID/ABRASIVE DETERGENT ✗	Aged metal finish: patina will form over time Finitura di metallo invecchiato: si formerà una patina nel tempo Finition en métal vieilli: une patine se formera avec le temps Gealterte Metallausführung: eine Patina wird sich mit der Zeit bilden
WH MATT WHITE	WATER ✓	LIQUID SOAP ✓	SMOOTH CLOTH ✓	ABRASIVE SPONGE ✗	ACID/ABRASIVE DETERGENT ✗	Varnished finish: subject to scratches if not properly handled Finitura verniciata: soggetta a deterioramento se non trattata correttamente Finition vernie: sujette aux rayures si ne pas traitée correctement Lackierte Ausführung: Kratzer bei unsachgemäßer Behandlung
BL MATT BLACK	WATER ✓	LIQUID SOAP ✓	SMOOTH CLOTH ✓	ABRASIVE SPONGE ✗	ACID/ABRASIVE DETERGENT ✗	Varnished finish: subject to scratches if not properly handled Finitura verniciata: soggetta a deterioramento se non trattata correttamente Finition vernie: sujette aux rayures si ne pas traitée correctement Lackierte Ausführung: Kratzer bei unsachgemäßer Behandlung
AI AGED IRON	WATER ✓	LIQUID SOAP ✓	SMOOTH CLOTH ✓	ABRASIVE SPONGE ✗	ACID/ABRASIVE DETERGENT ✗	Plated finish: subject to scratches if not properly handled Finitura placcata: soggetta a deterioramento se non trattata correttamente Finition plaquée: sujette aux rayures si ne pas traitée correctement Plattierte Ausführung: Kratzer bei unsachgemäßer Behandlung
BK BLACK CHROME	WATER ✓	LIQUID SOAP ✓	SMOOTH CLOTH ✓	ABRASIVE SPONGE ✗	ACID/ABRASIVE DETERGENT ✗	Plated finish: subject to scratches if not properly handled Finitura placcata: soggetta a deterioramento se non trattata correttamente Finition plaquée: sujette aux rayures si ne pas traitée correctement Plattierte Ausführung: Kratzer bei unsachgemäßer Behandlung
BBP BRUSHED BRASS PVD	WATER ✓	LIQUID SOAP ✓	SMOOTH CLOTH ✓	ABRASIVE SPONGE ✗	ACID/ABRASIVE DETERGENT ✗	Inoxidizable PVD finish Finitura inossidabile in PVD Finition PVD inoxydable Inoxidierbare PVD-Ausführung
BCP BRUSHED COPPER PVD	WATER ✓	LIQUID SOAP ✓	SMOOTH CLOTH ✓	ABRASIVE SPONGE ✗	ACID/ABRASIVE DETERGENT ✗	Inoxidizable PVD finish Finitura inossidabile in PVD Finition PVD inoxydable Inoxidierbare PVD-Ausführung

MAINTENANCE - Never use for any reason cleaning solutions containing abrasive substances, chloric acids, ammonia, vinegar, bleach, domestic acids, disinfectants, or any type of abrasive pad.

Warning! Incorrect cleaning may permanently ruin the surface of the products and in such case the manufacturer may not be held liable for damage.

MANUTENZIONE - Non usare mai per qualsiasi motivo soluzioni detergenti contenenti sostanze abrasive, acido clorico, ammoniacca, aceto, candegina, acidi domestici, disinfettanti o qualsiasi tipo di spugna o panno abrasivo. Attenzione! Una pulizia errata può rovinare in modo permanente la superficie dei prodotti e in tal caso il Produttore non può essere ritenuto responsabile per danni.

ENTRETIEN - N'utilisez jamais des solutions de nettoyage contenant substances abrasives, acide chlorique, ammoniacque, vinaigre, eau de javel, acides domestiques, désinfectants ou tout type de tissu abrasif.

Attention! Un nettoyage incorrect peut endommager de manière permanente la surface des produits et, dans ce cas, le Fabricant ne pourra être tenu responsable des dommages.

WARTUNG - Verwenden Sie niemals Reinigungslösungen, die Schleifmittel, Chlorsäure, Ammoniak, Essig, Bleichmittel, Haushaltssäuren, Desinfektionsmittel oder andere Arten von Schleifmitteln enthalten.

Warnung! Durch eine falsche Reinigung kann die Oberfläche der Produkte dauerhaft beschädigt werden. In diesem Fall ist der Hersteller nicht für Schäden haftbar.